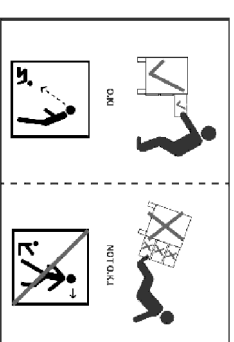
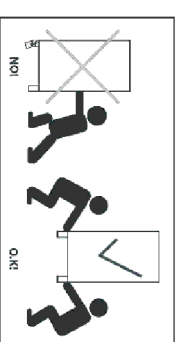
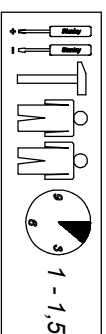
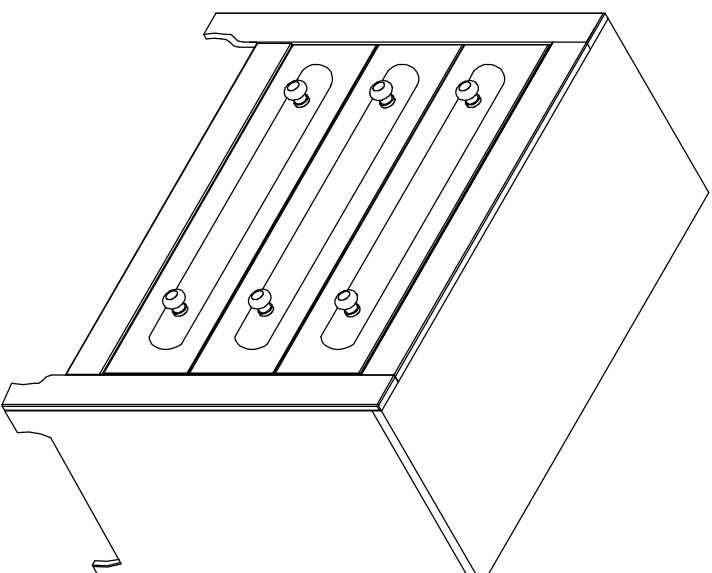


Instruction Manual

Evi

DRESSER

11719611



DISTRIBUTOR:

BOPITA

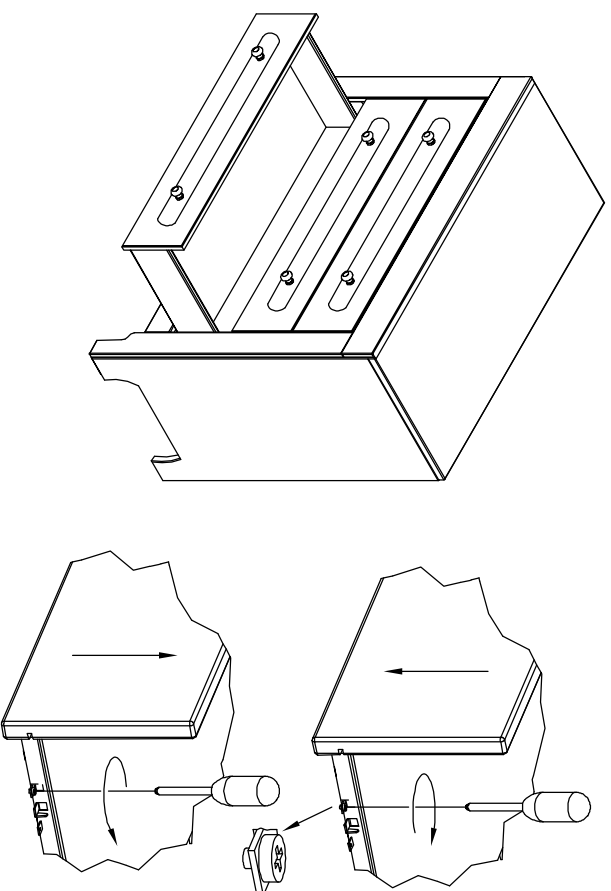
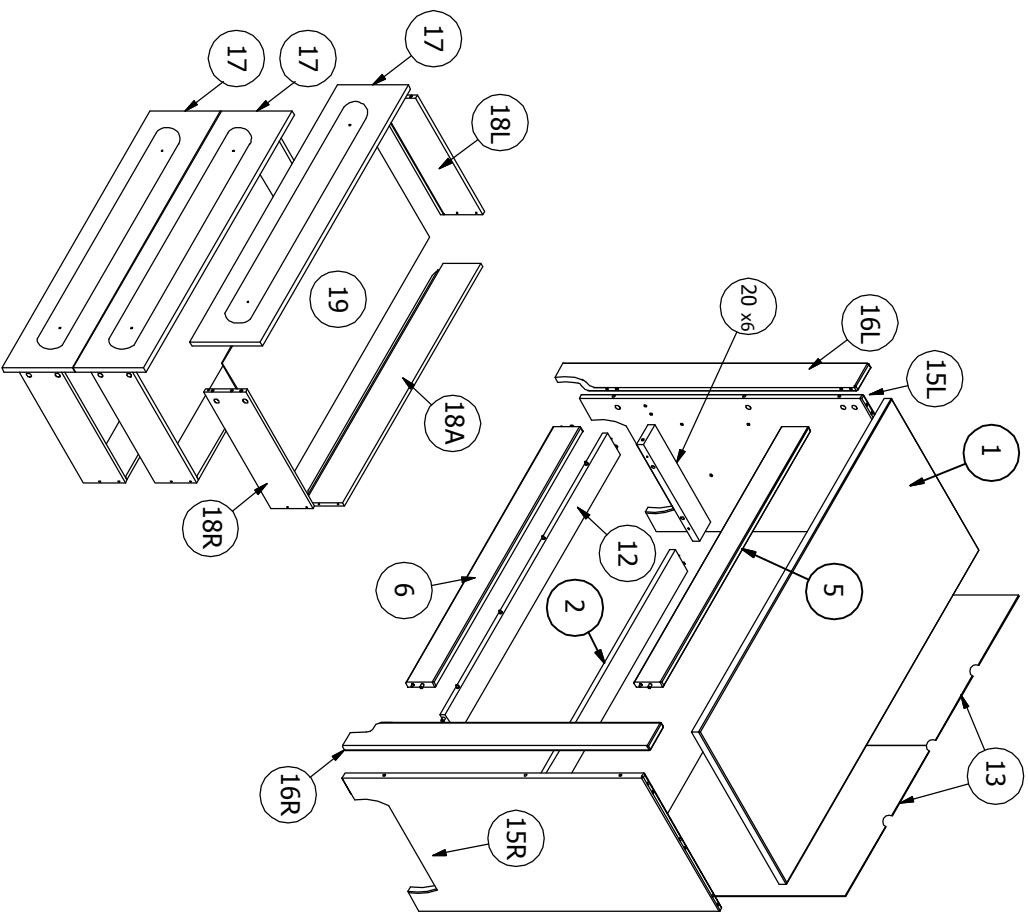
Energieweg 1, 6662 NS Eist

The Netherlands

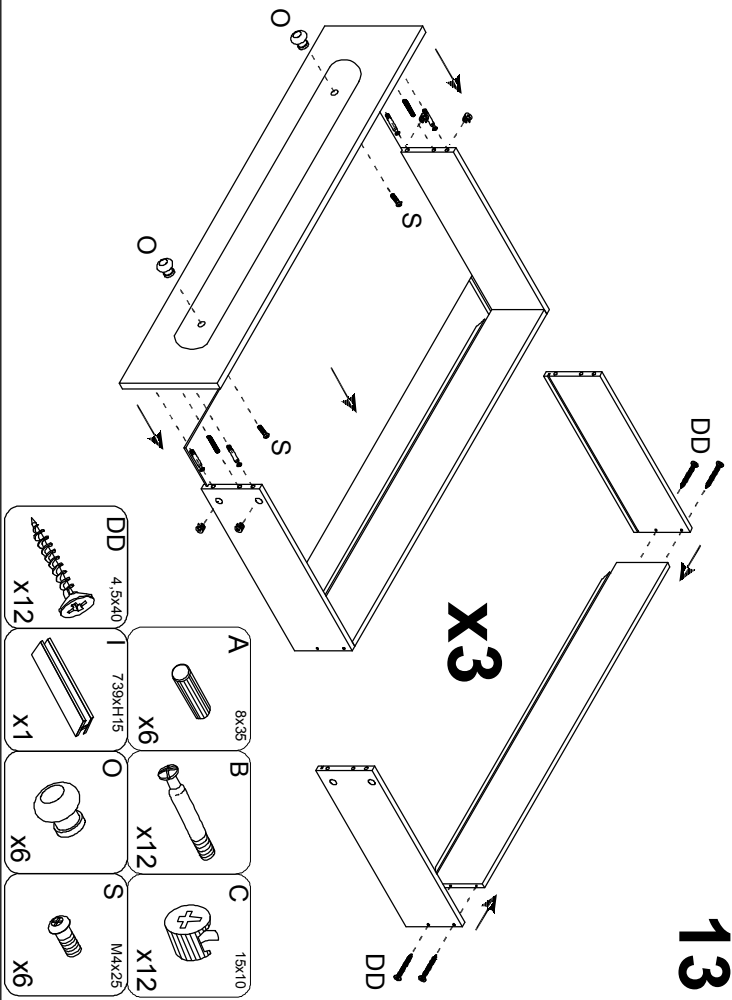
www.bopita.com

14.02.2020.

A	8x35	
B	X40	
C	15x10	
DA	2.5x16	
DB	3x10	
DC	3.5x35	
DD	4.5x40	
E	L=450	
F	6.3x11.5	
I	7.39xH15	
M	L=450	
R	X4	
O	X6	
S	MAX25	
	X12	
	X12	
	X3	
	X12	
	X1	
	X3	
	X4	
	X6	
	X6	
	X12	
	X20	
	X40	
	X12	

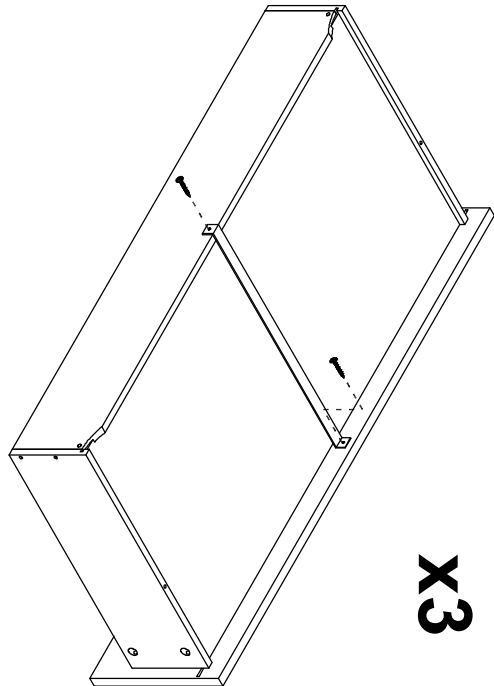


13



- A 8x35 X6
- B 15x10 X12
- C 15x10 M4x25 X6
- DD 4.5x40 X12
- I 739xH15 X1
- O X6
- S X12

X3

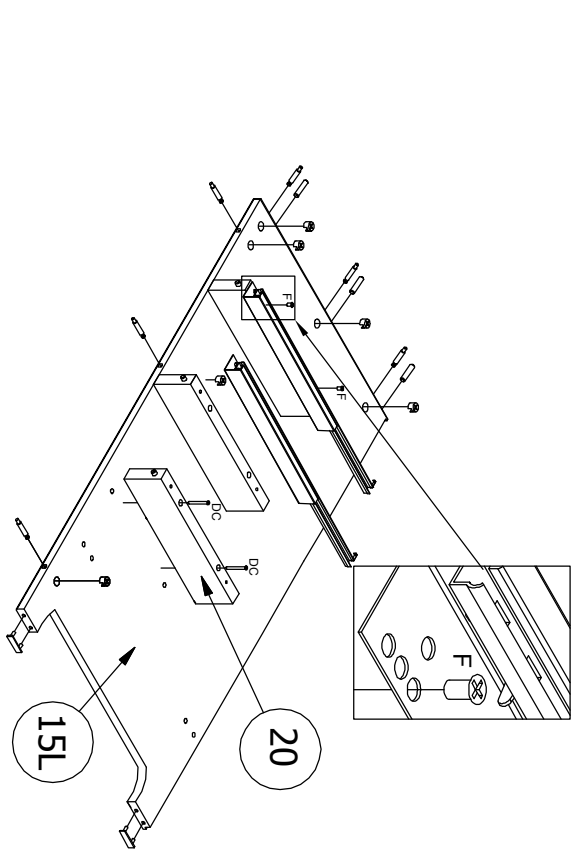


- DB 3x10 X6
- M L=450 X3

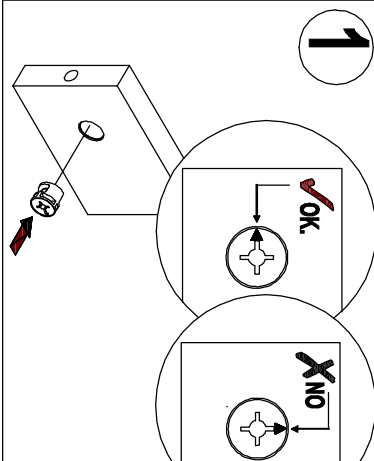
14

3

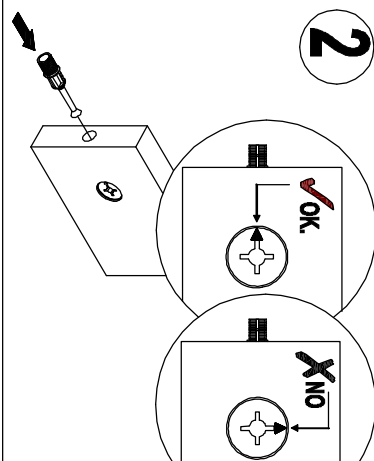
- A 8x35 X3
- B 15x10 X6
- C 15x10 X6
- DC 3.5x35 X6
- E L=450 X3
- F 6.3x11.5 X6
- R X2



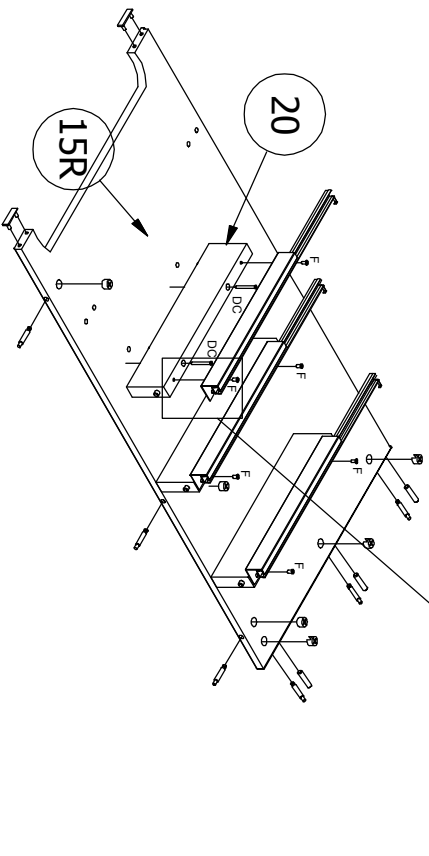
1



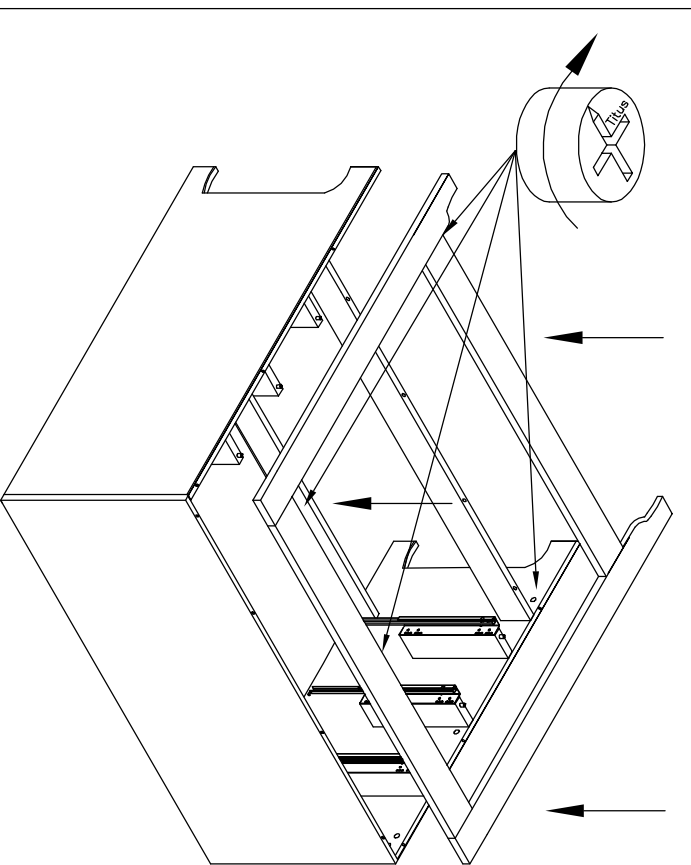
2



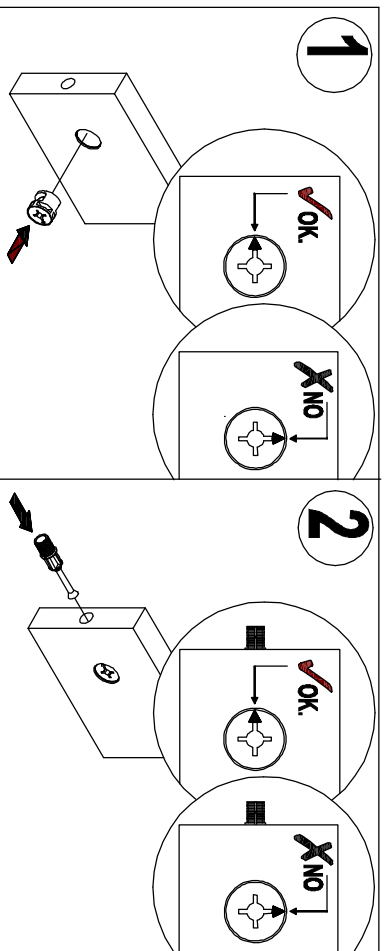
- A 8x35 X3
- B 15x10 X6
- C 15x10 X6
- DC 3.5x35 X6
- E L=450 X3
- F 6.3x11.5 X6
- R X2



4

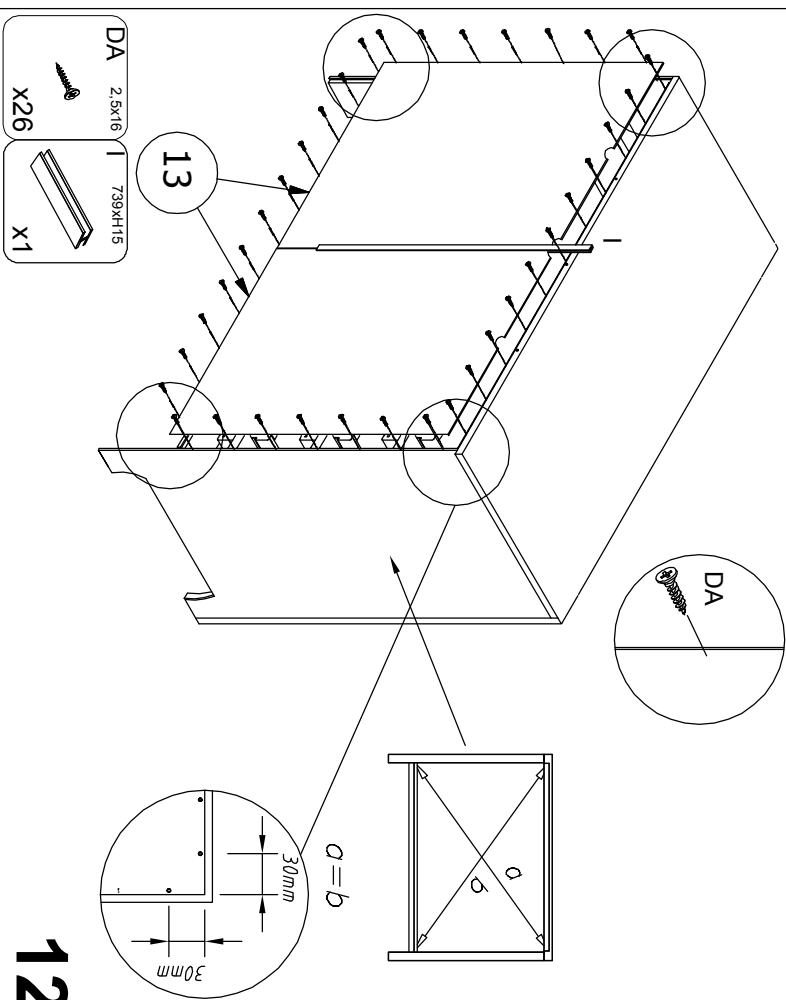


11



1

2





- DA 2.5x16 X26
- I 739xH15 X1

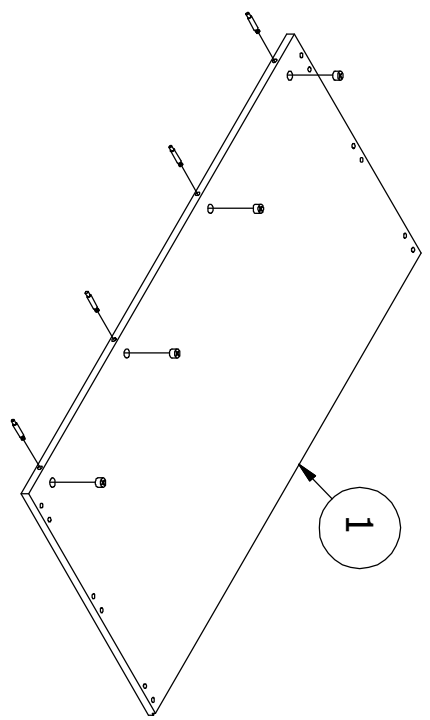
13

$a = b$




30mm
30mm

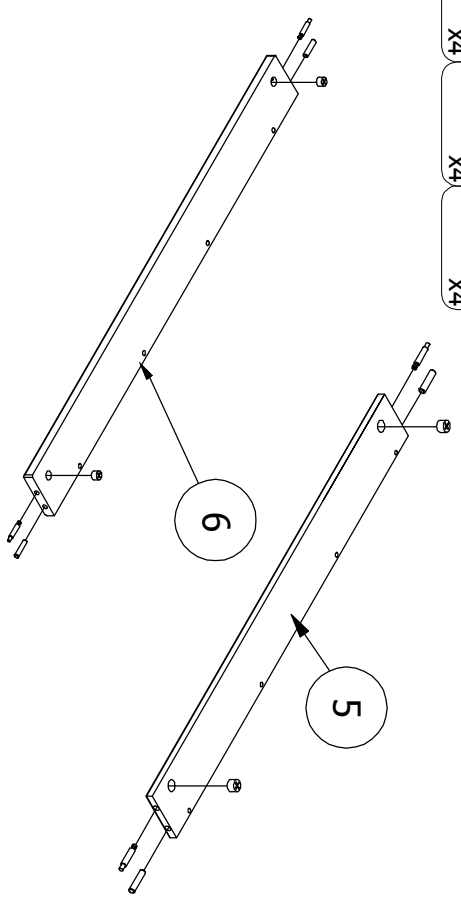
12

- B**
X4 
- C**
15x10
X4 

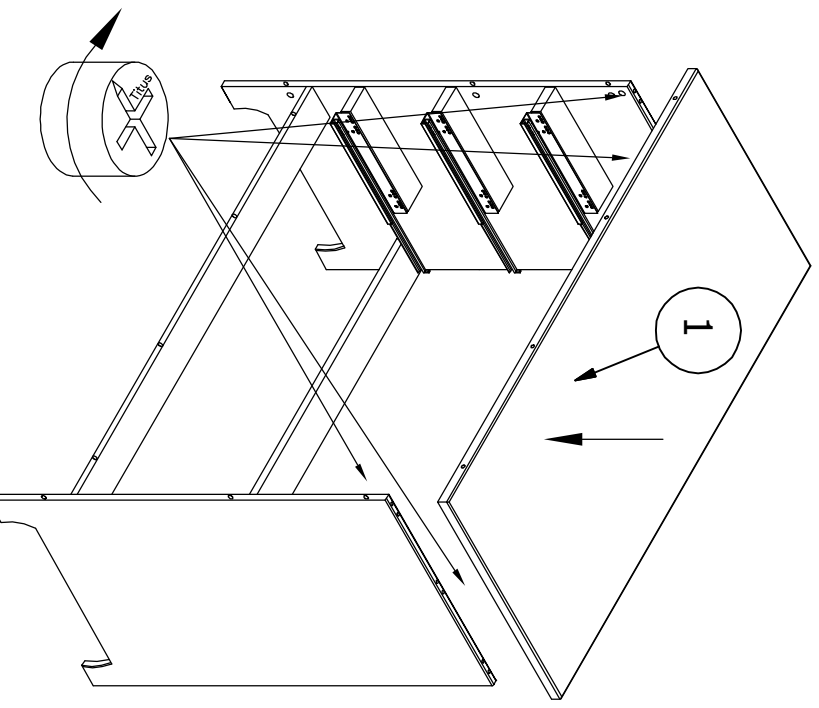


9




- A**
8x35
X4 
- B**
X4 
- C**
15x10
X4 

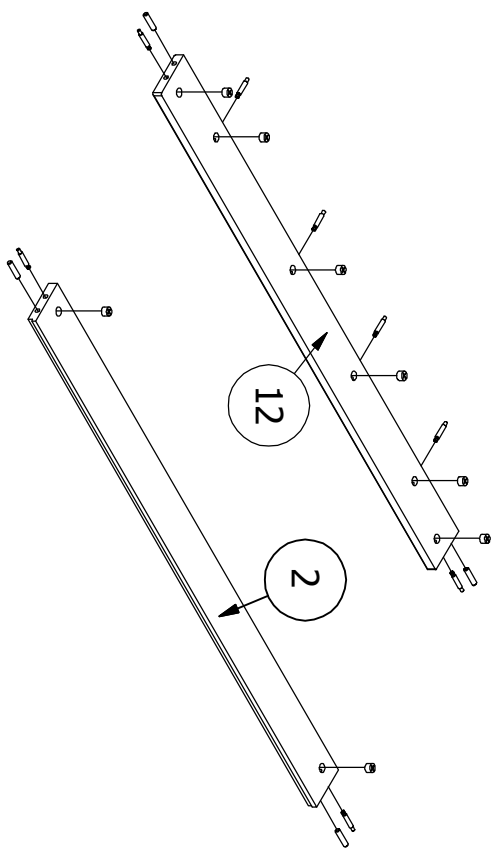


5



10

- A**
8x35
X4 
- B**
X8 
- C**
15x10
X8 



6

