

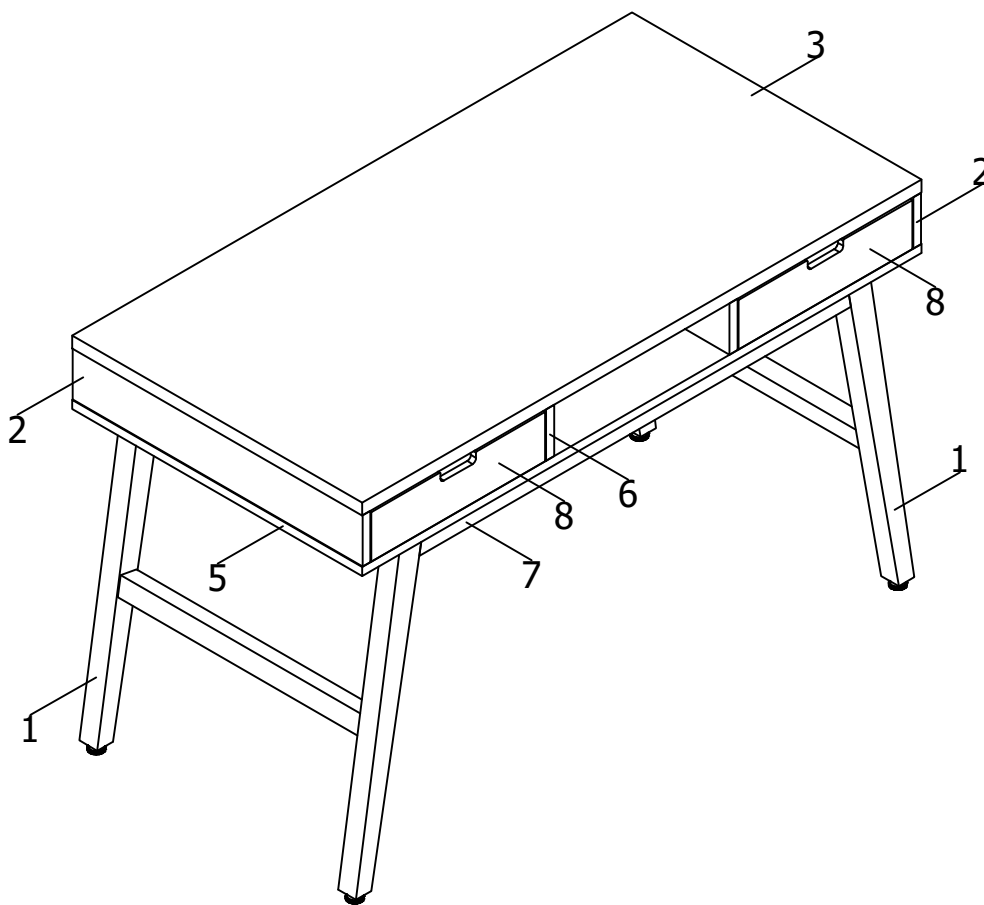
# bopita®

ASSEMBLY INSTRUCTION  
MONTAGE HANDLEIDING  
MONTAGE ANLEITUNG  
NOTICE DE MONTAGE  
MANUAL DE MONTAJE

UK  
NL  
D  
F  
ESP

MODEL  
TYPE  
COLOUR  
ART.CODE

: WRITINGDESK  
: RETRO  
: WHITE  
: 132187.11.



Distributor:

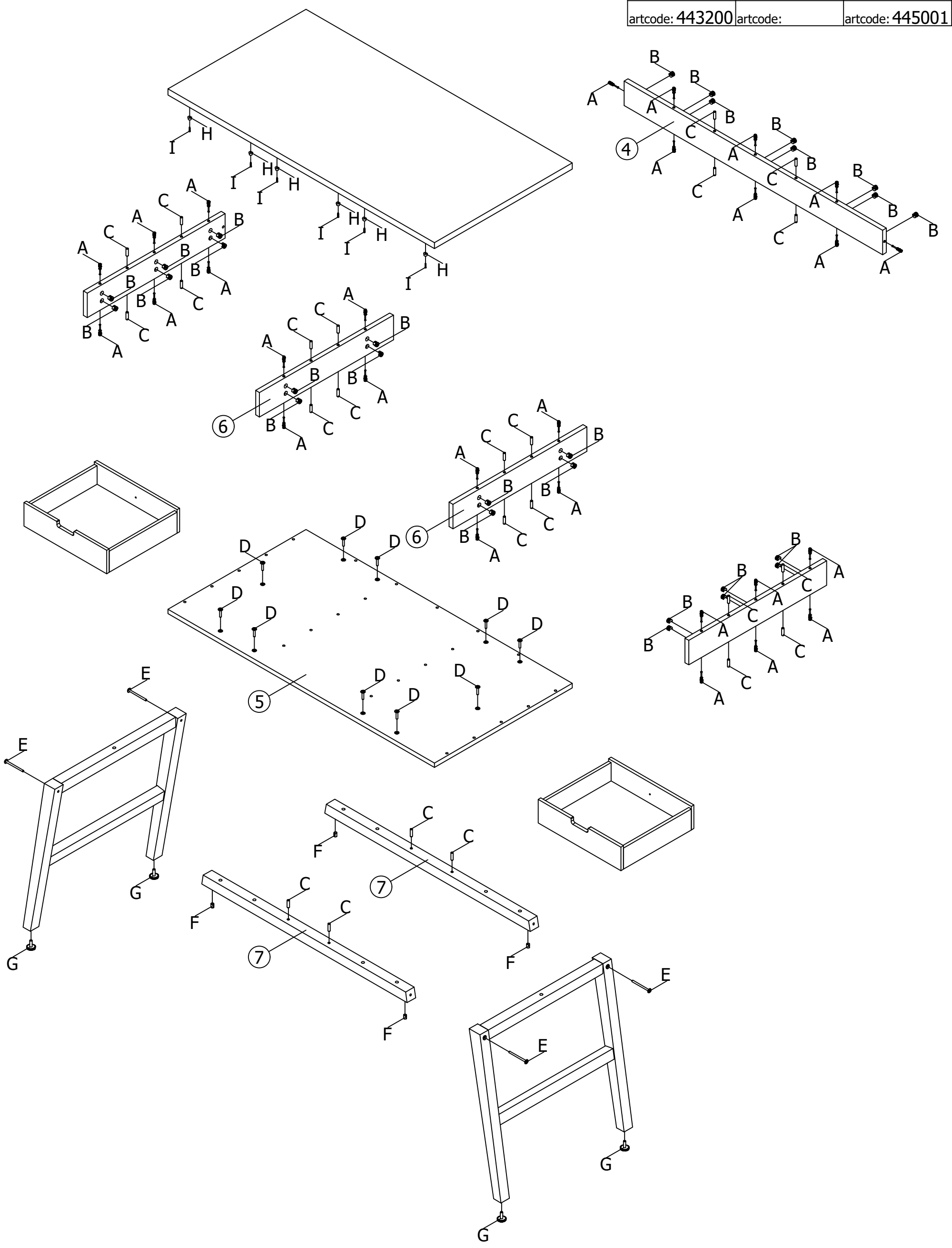
BOPITA  
Edisonweg 3, 6662 NW Elst  
The Netherlands

[www.bopita.com](http://www.bopita.com)

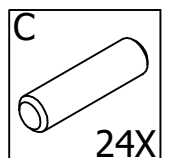
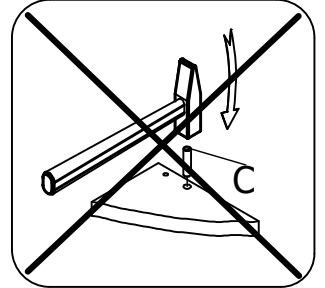
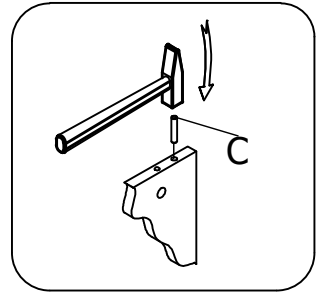
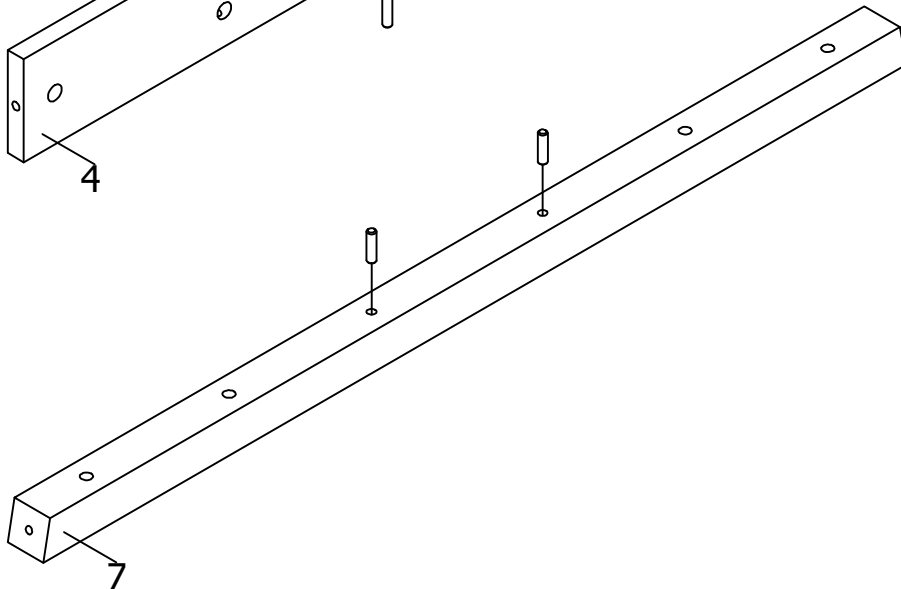
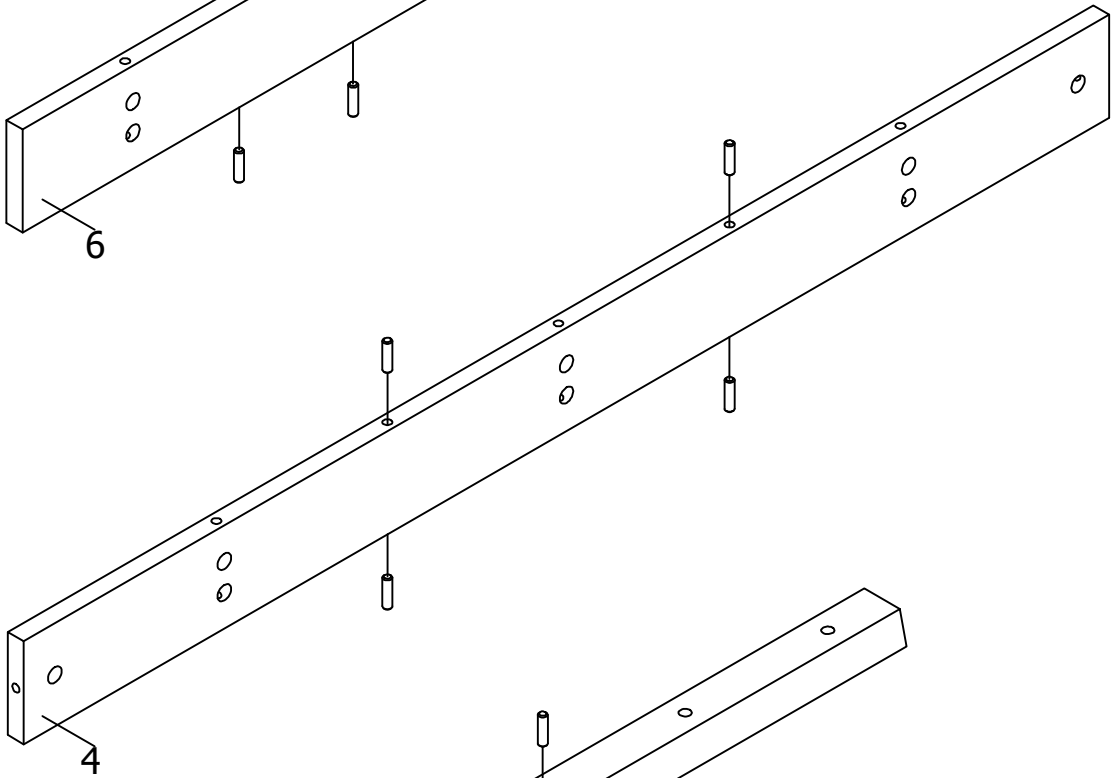
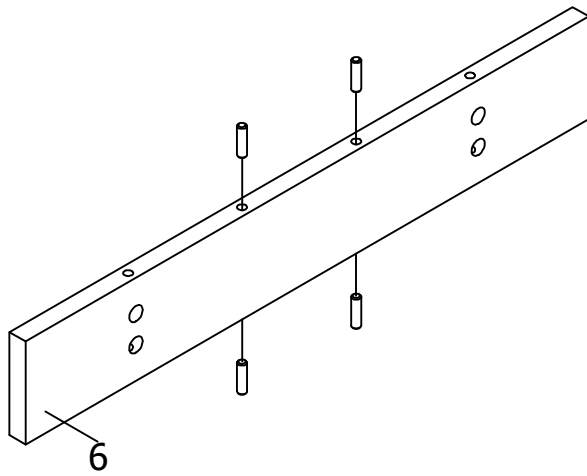
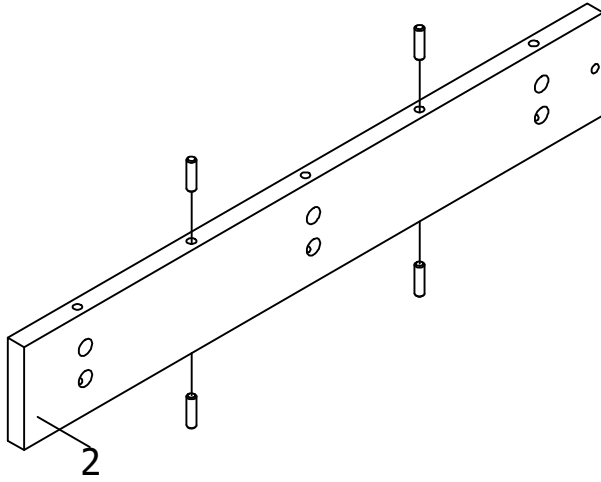
23.04.2019.

A	B	C	D	E	F	G	H	I					
28X	28X	Ø8X30	24X	M6X30	10X	M6X80	4X	M6	4X	4X	6X	3,5X16	6X
artcode: 444001	artcode: 444005	artcode:	artcode: 441010	artcode: 441022	artcode: 442004	artcode: 446022	artcode: 973043	artcode: 431006					

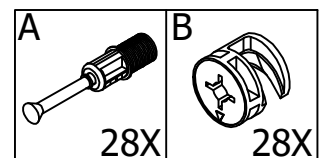
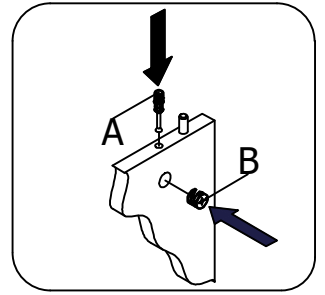
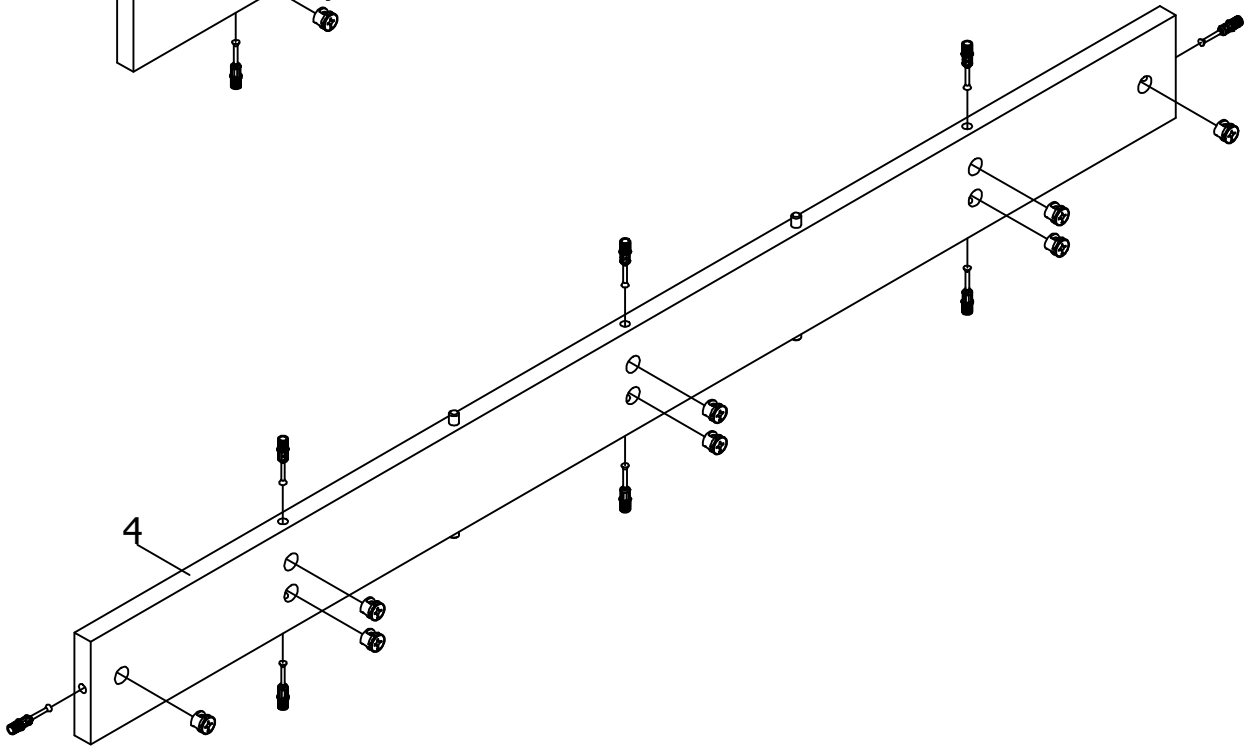
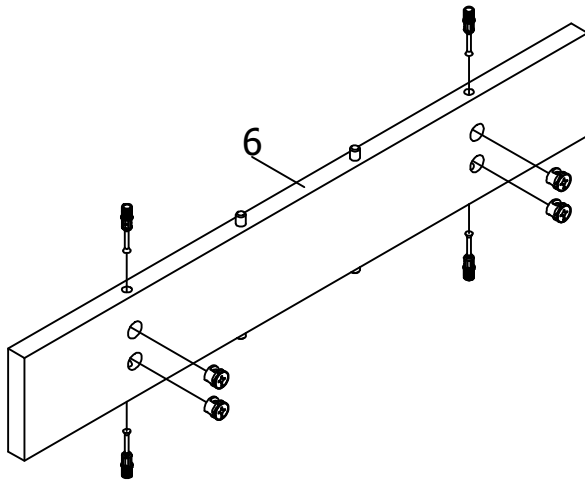
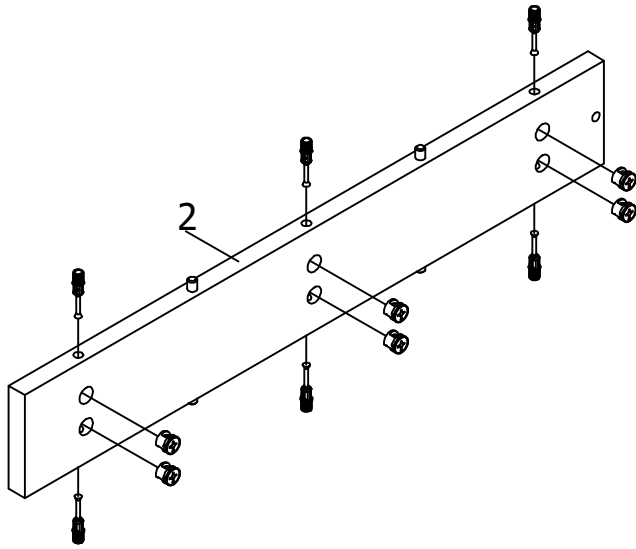
J	K	L
2X	2X	1X
artcode: 443200	artcode:	artcode: 445001



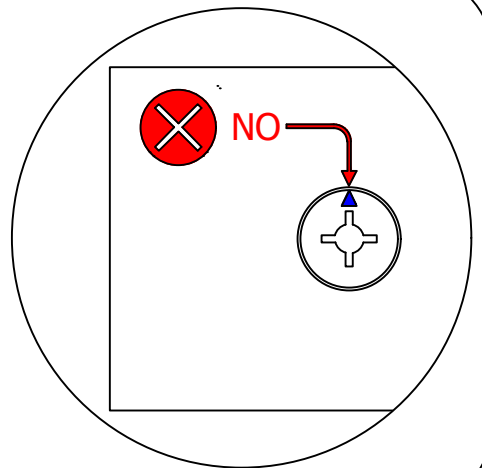
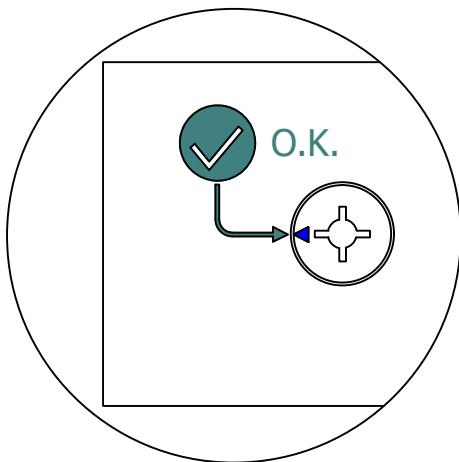
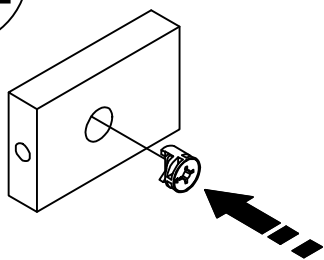
1



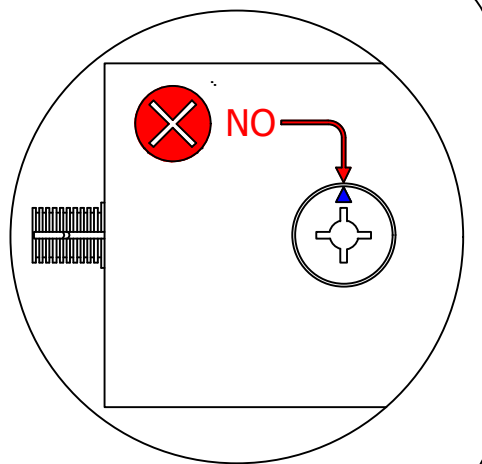
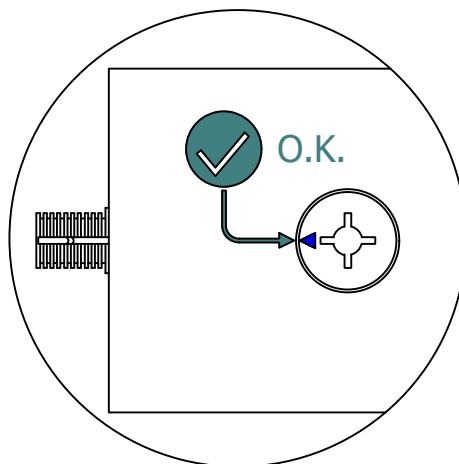
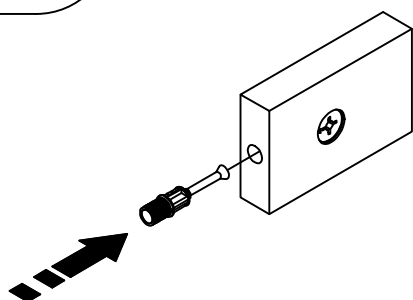
2



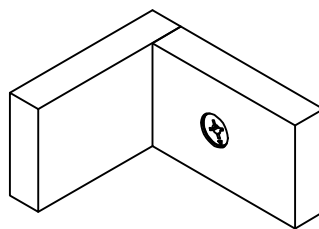
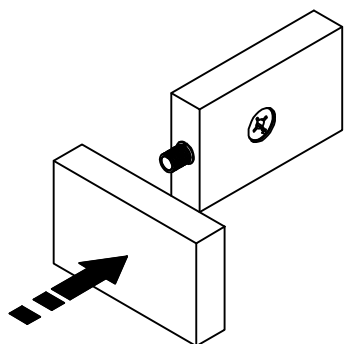
2.1



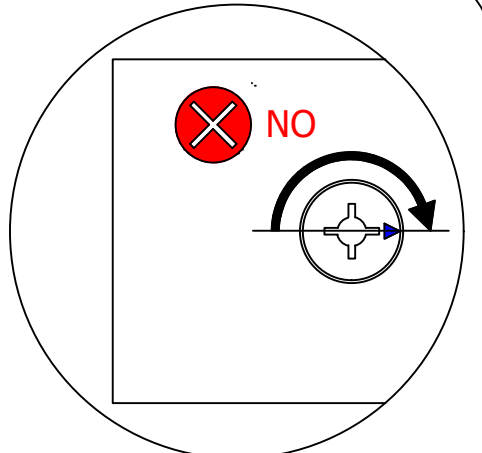
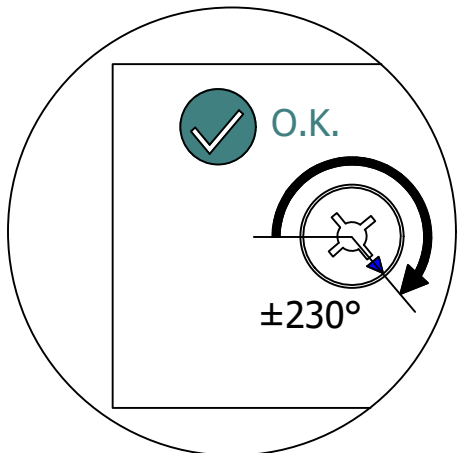
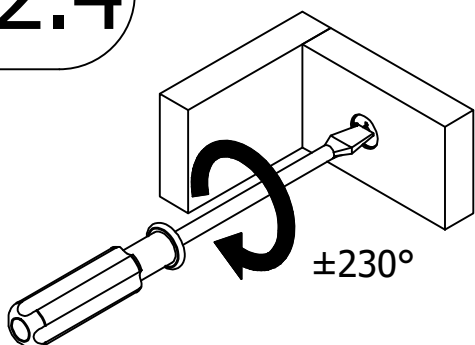
2.2

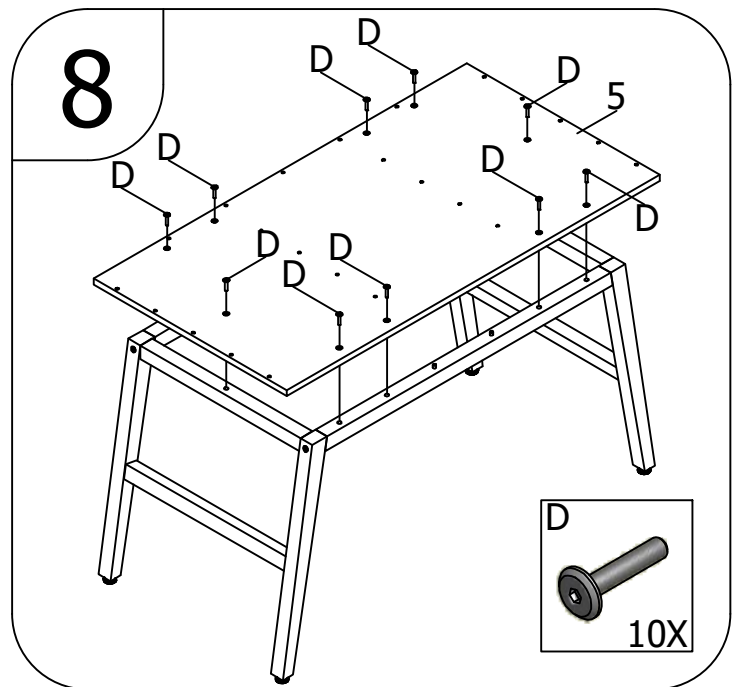
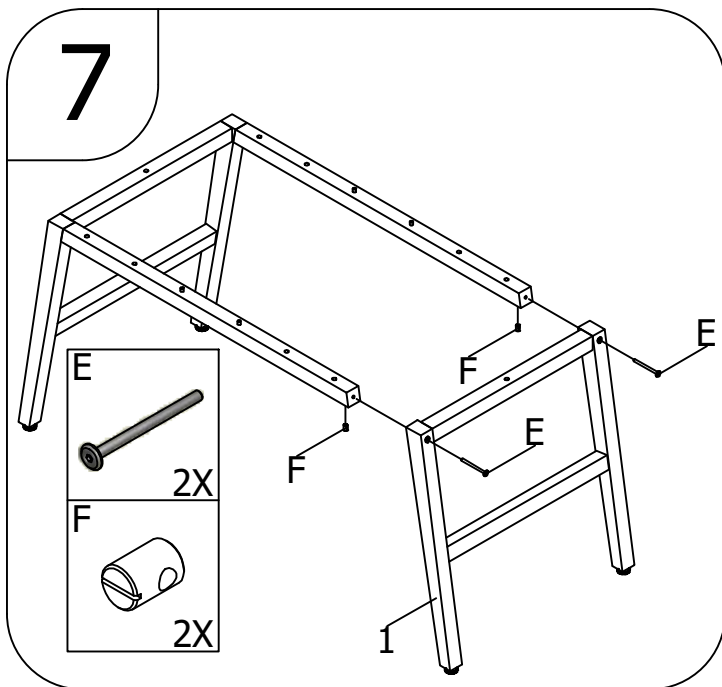
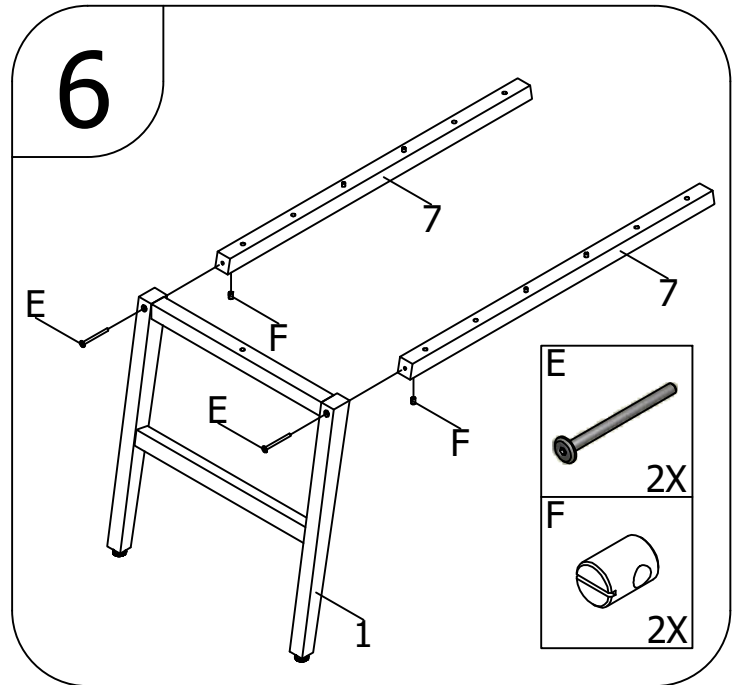
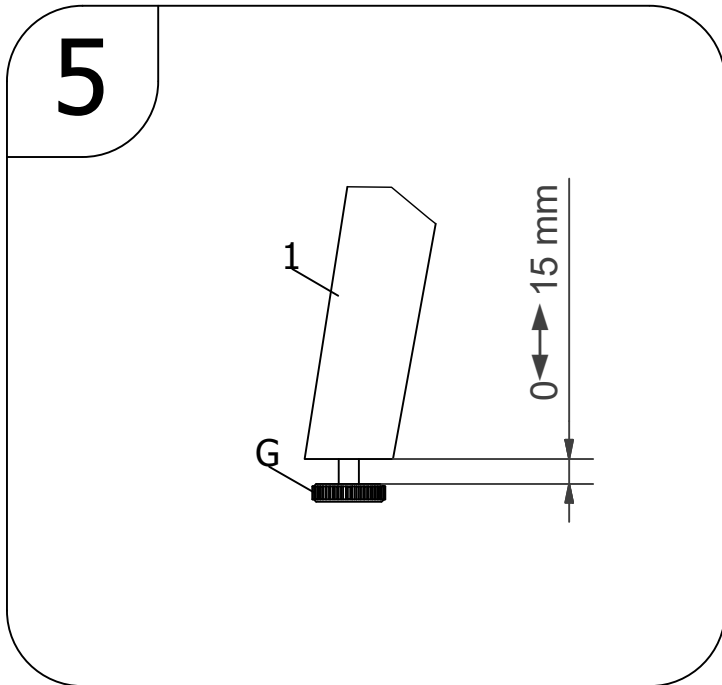
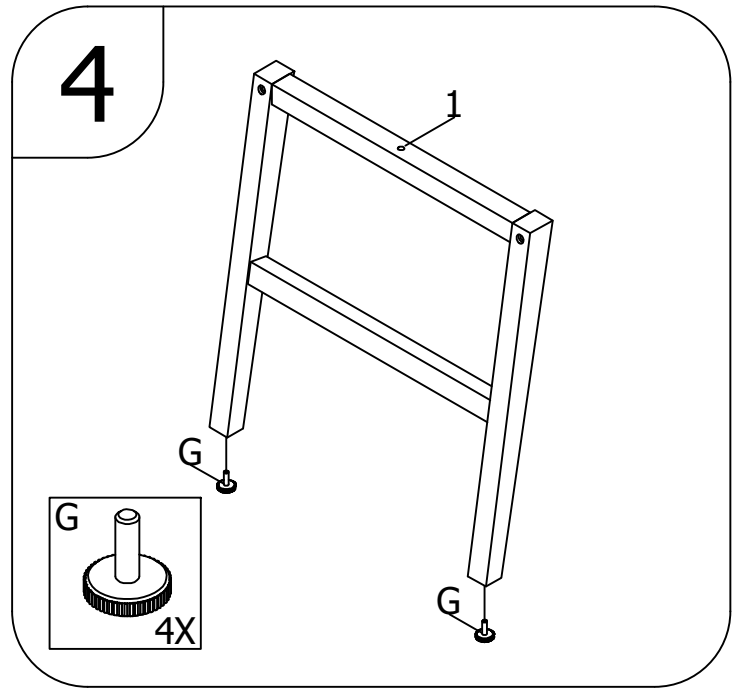
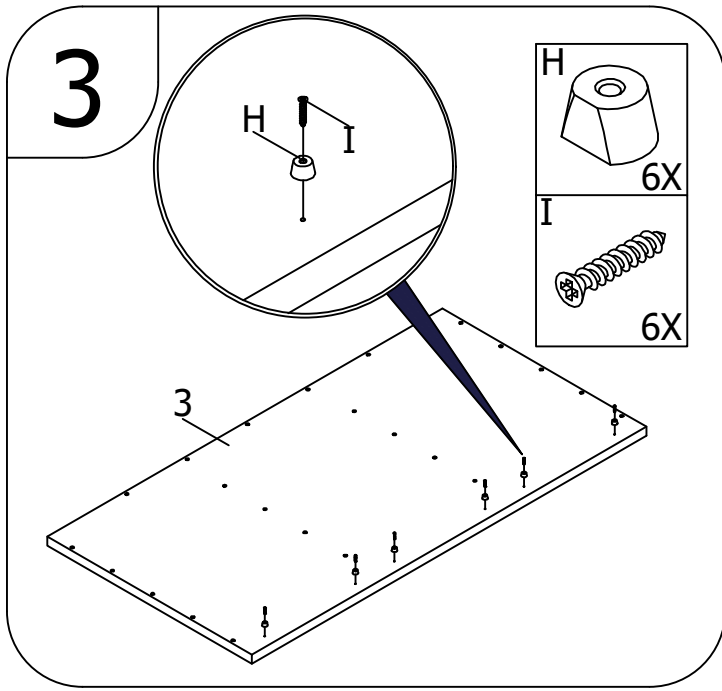


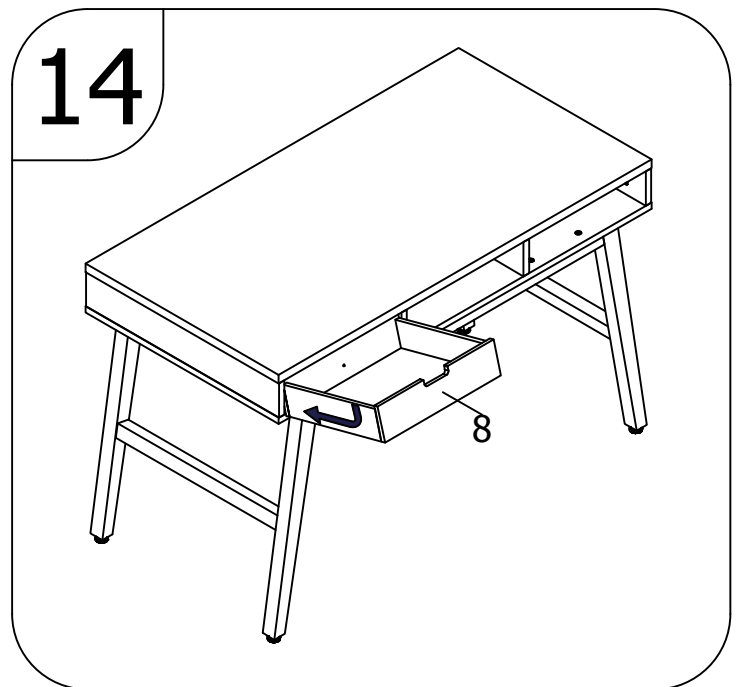
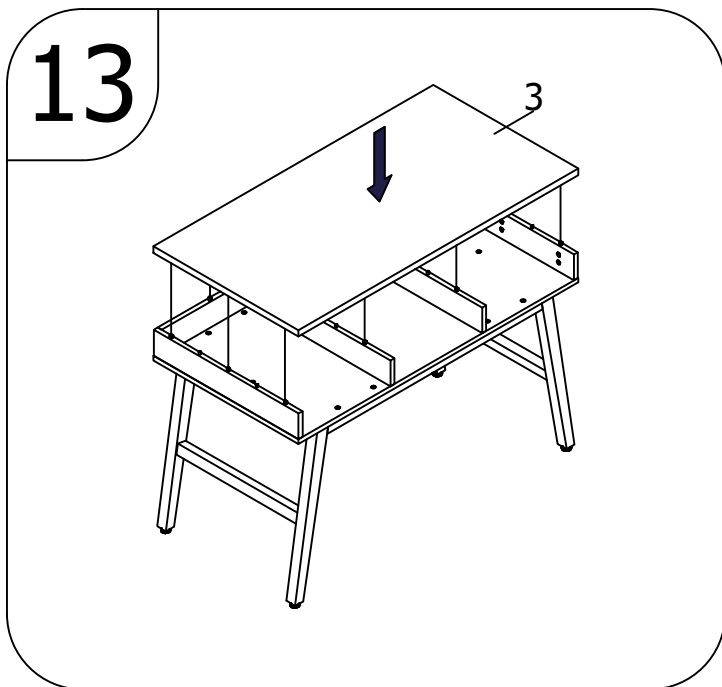
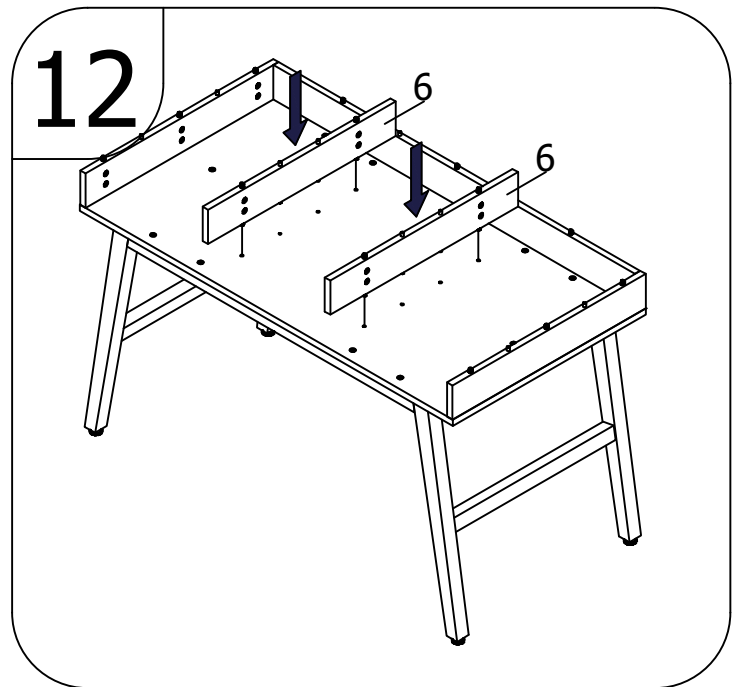
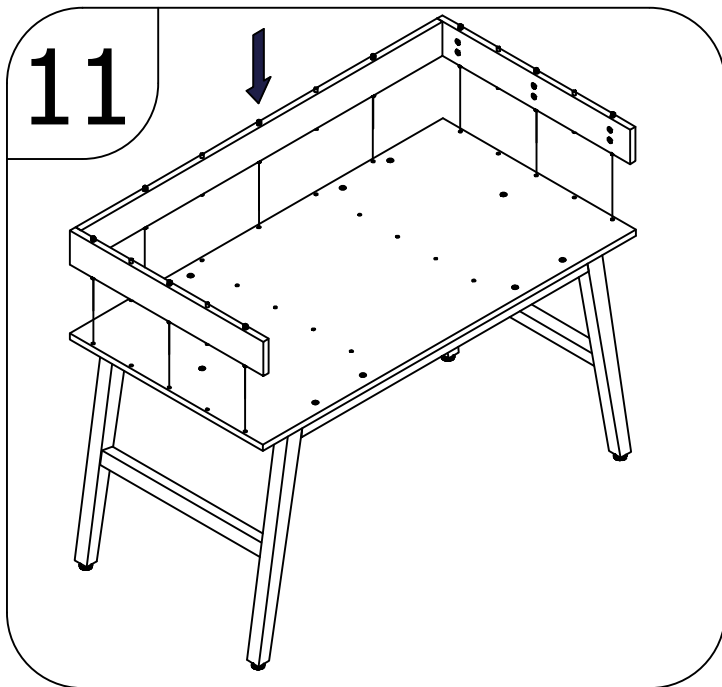
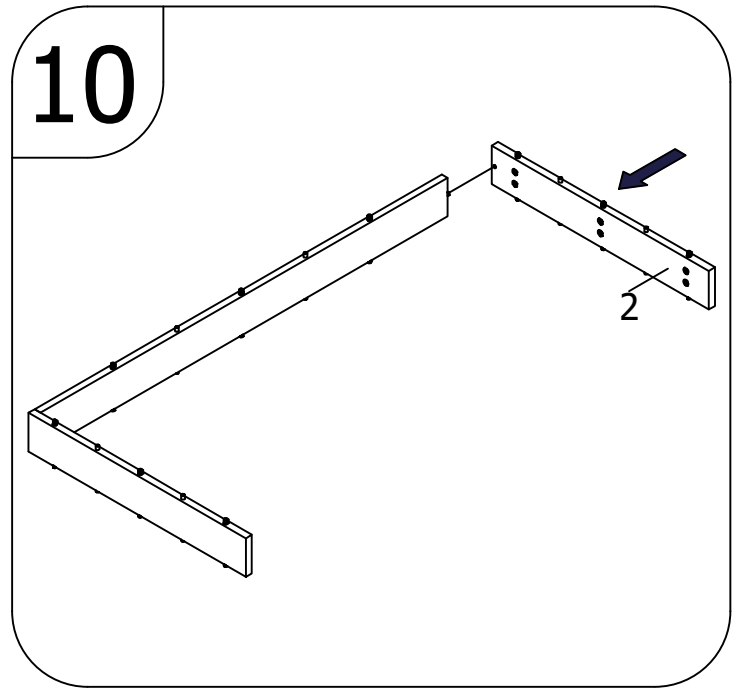
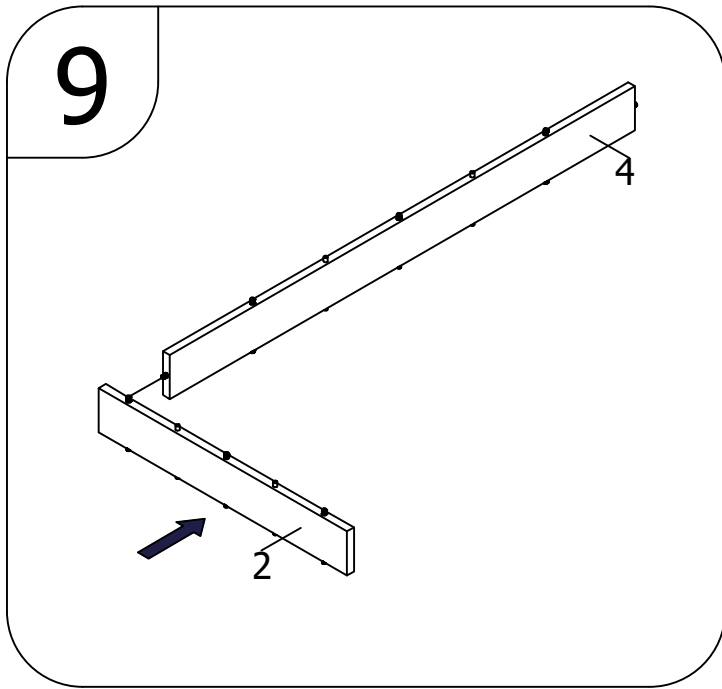
2.3



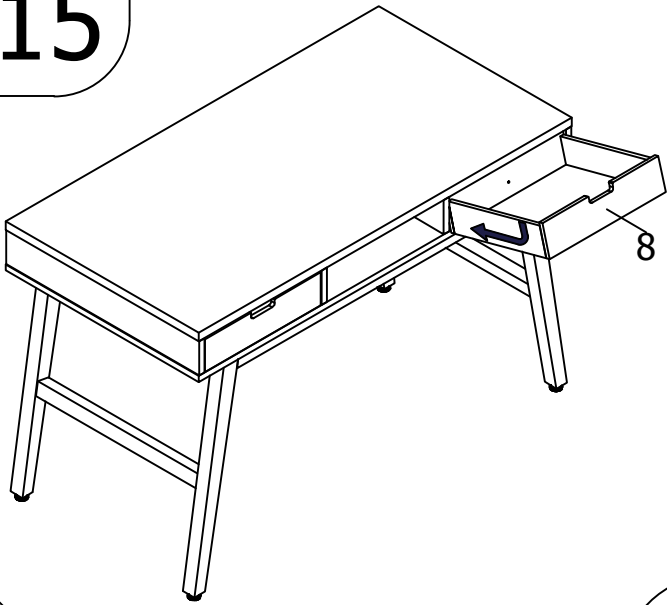
2.4



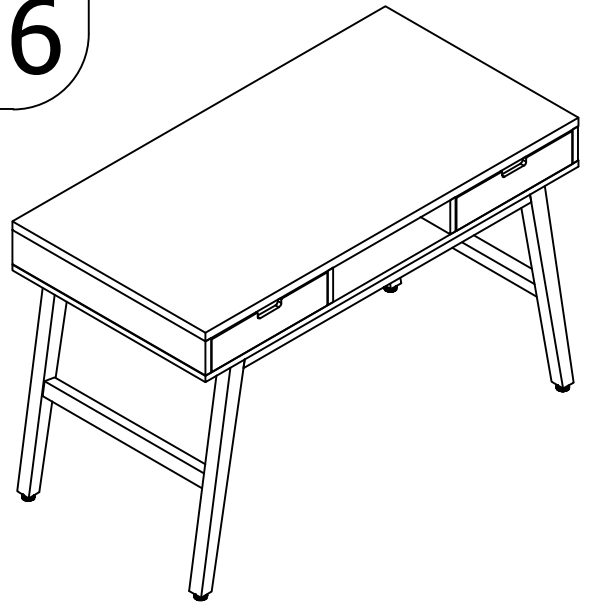




15

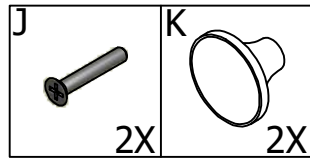
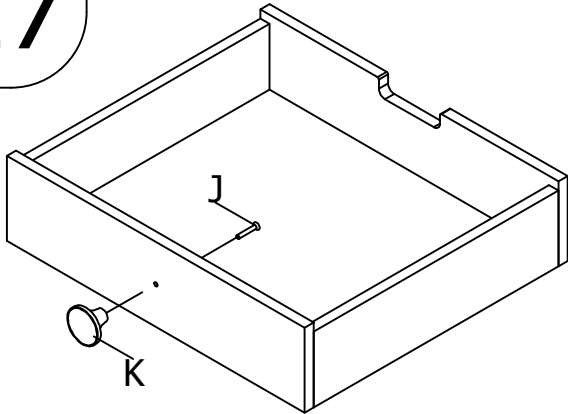


16

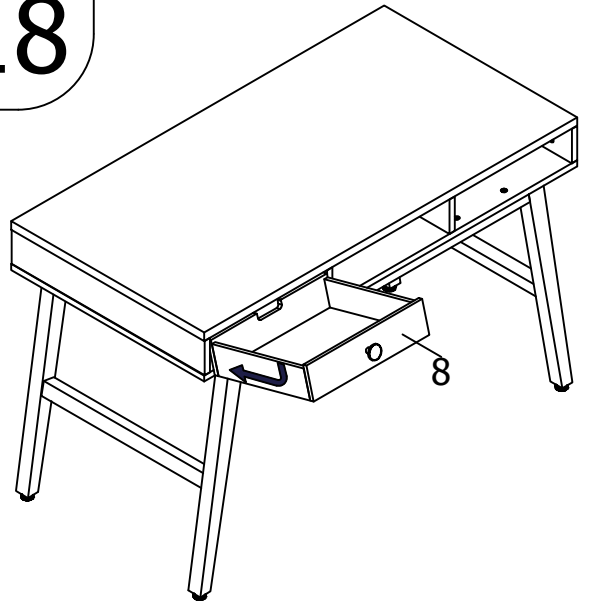


OR

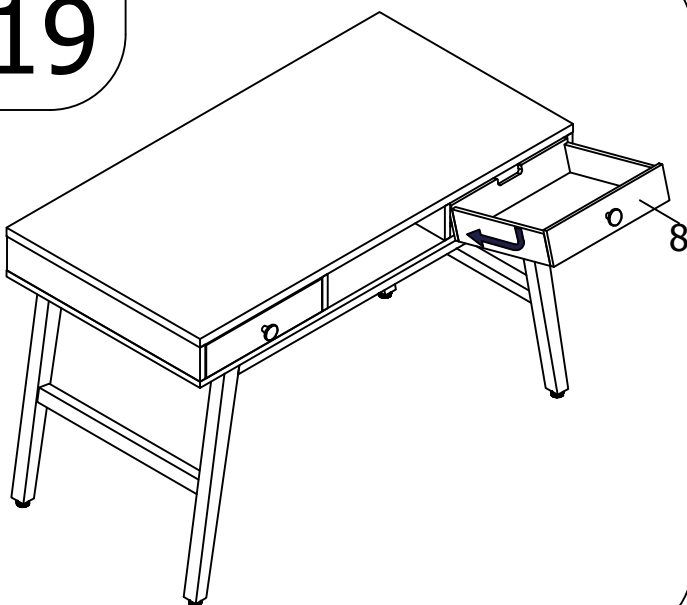
17



18



19



20

