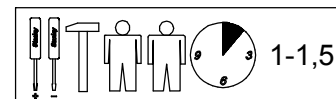
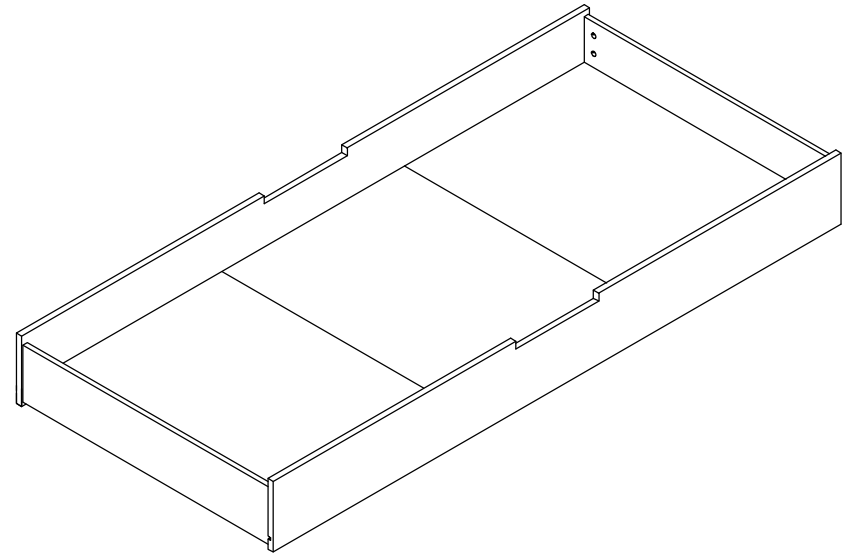


Instruction Manual

Camille

DRAWER 90x200

15811511



DISTRIBUTOR:

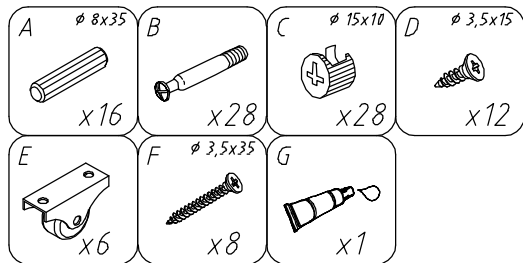
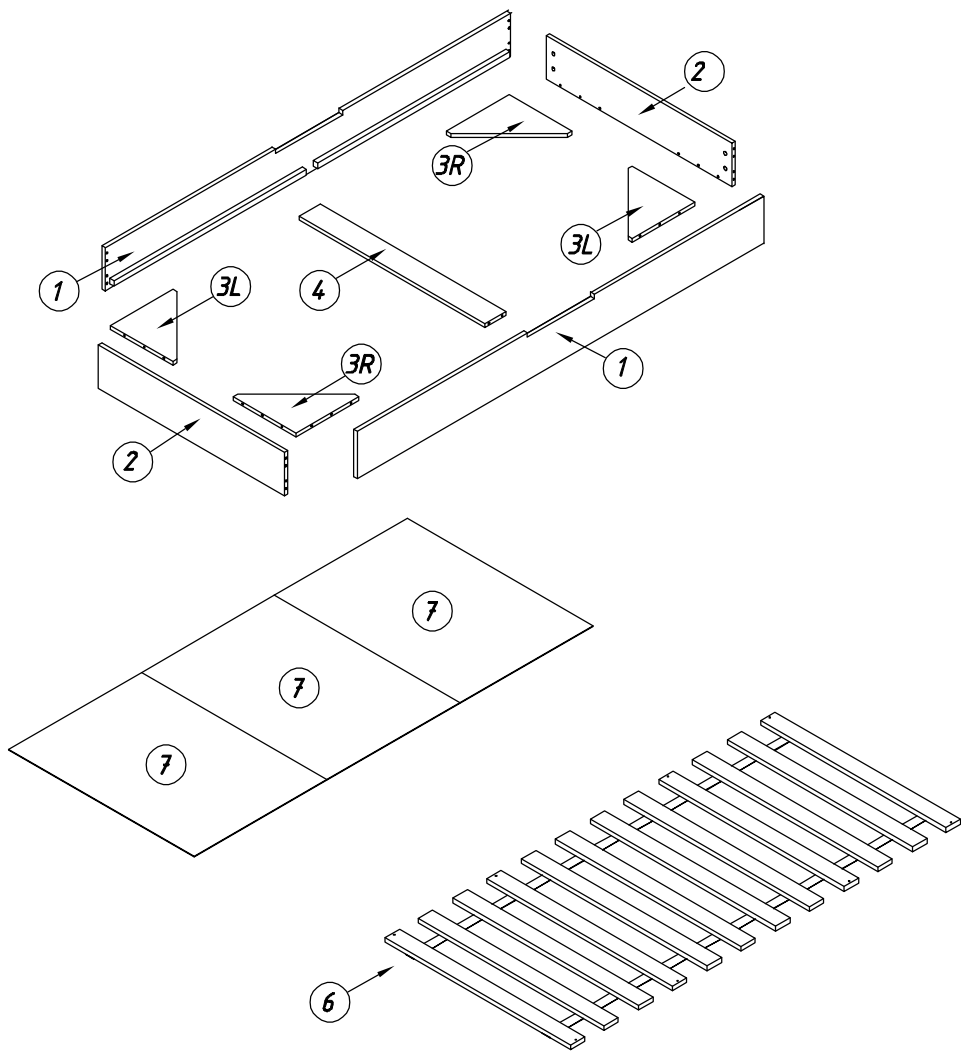
BOPITA

Edisonweg 3, 6662 NW Elst

The Netherlands

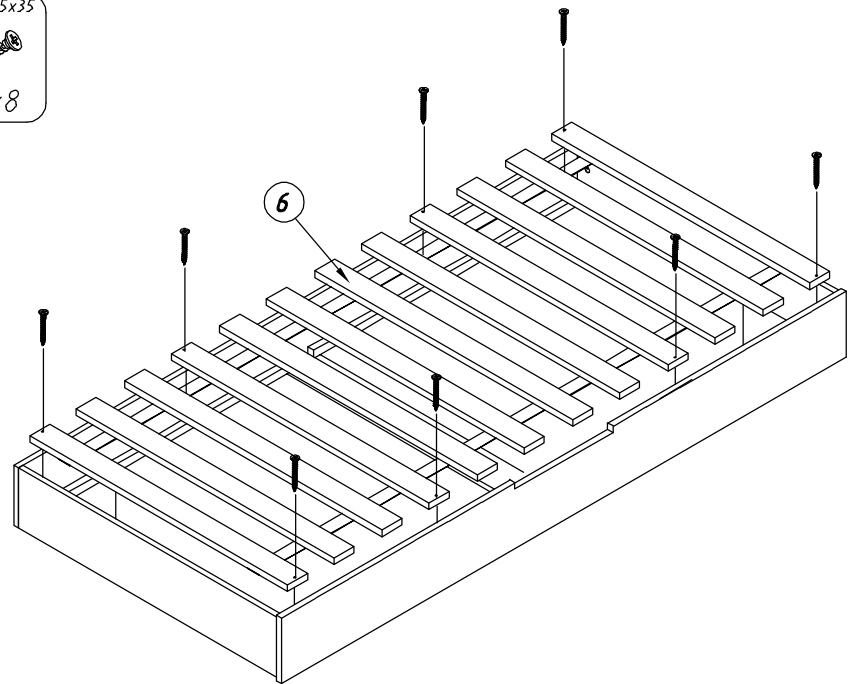
www.bopita.com

30.01.2019.

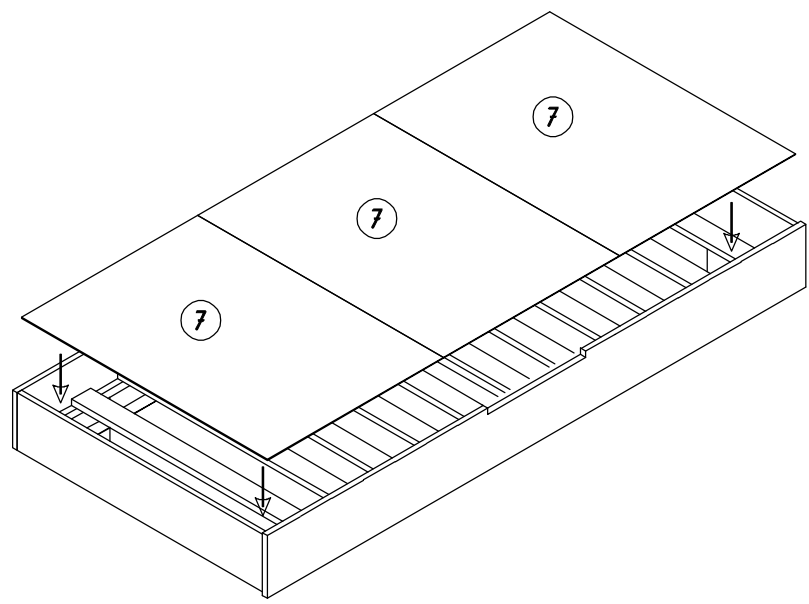


2

F ϕ 3,5x35
x8

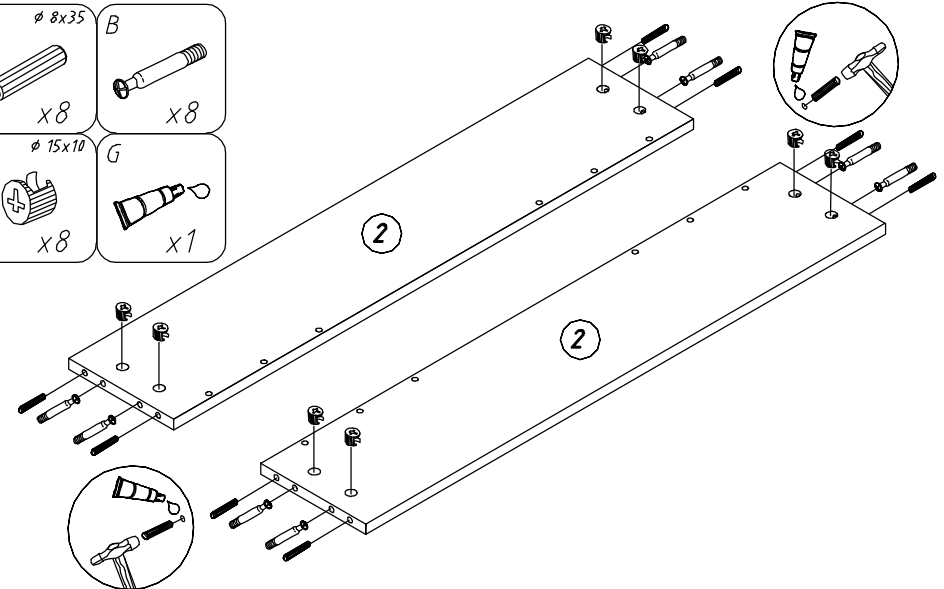


9

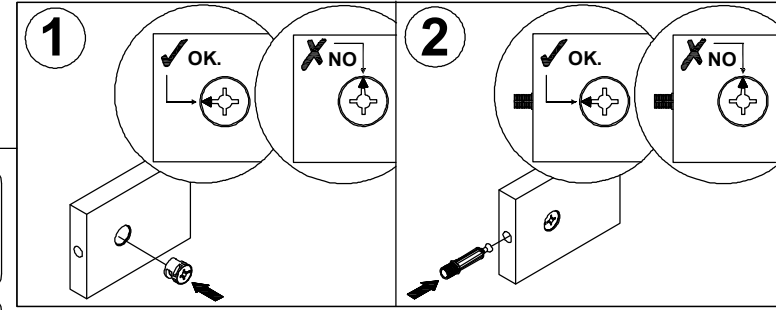


10

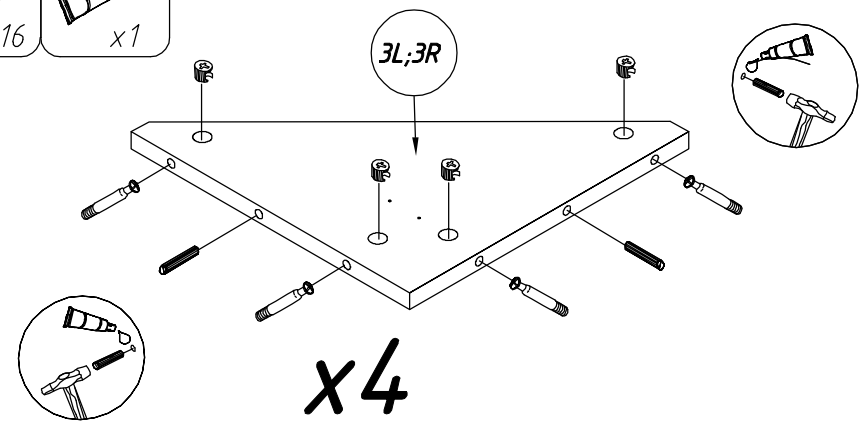
A ϕ 8x35 x8
B ϕ 8x35 x8
C ϕ 15x10 x8
G ϕ 15x10 x1



3

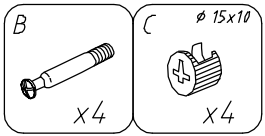


A ϕ 8x35 x8
B ϕ 8x35 x16
C ϕ 15x10 x16
G ϕ 15x10 x1

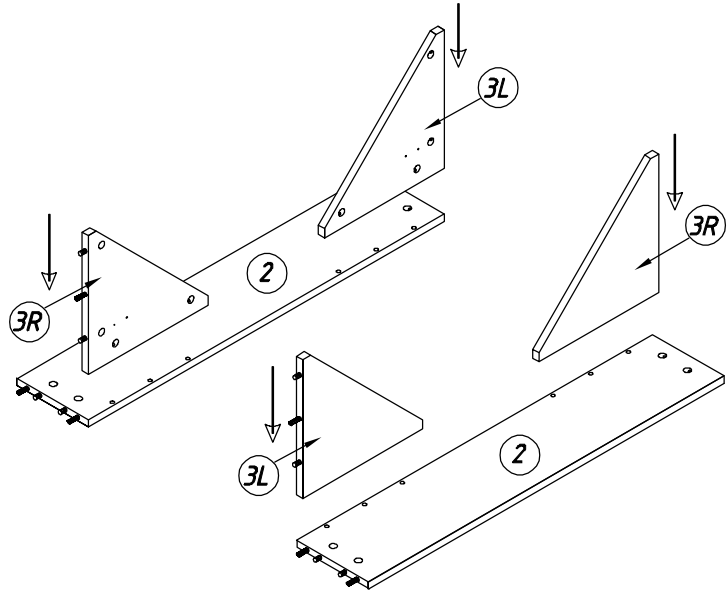
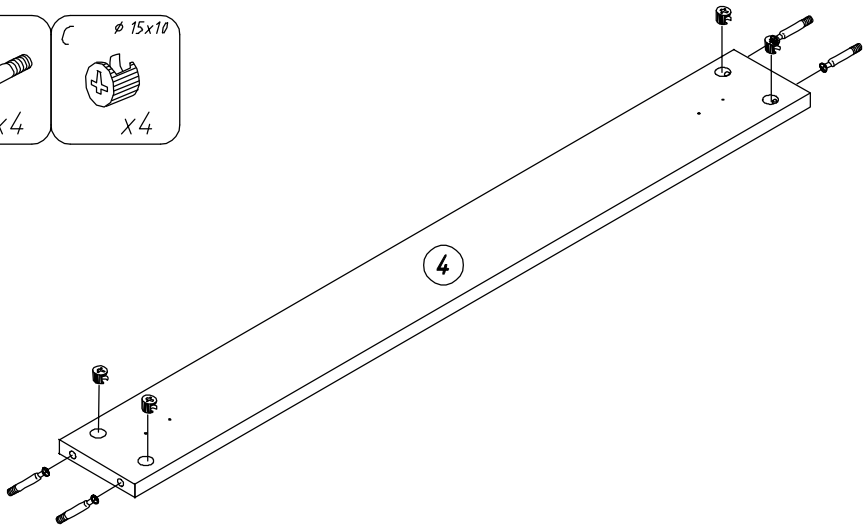


x4

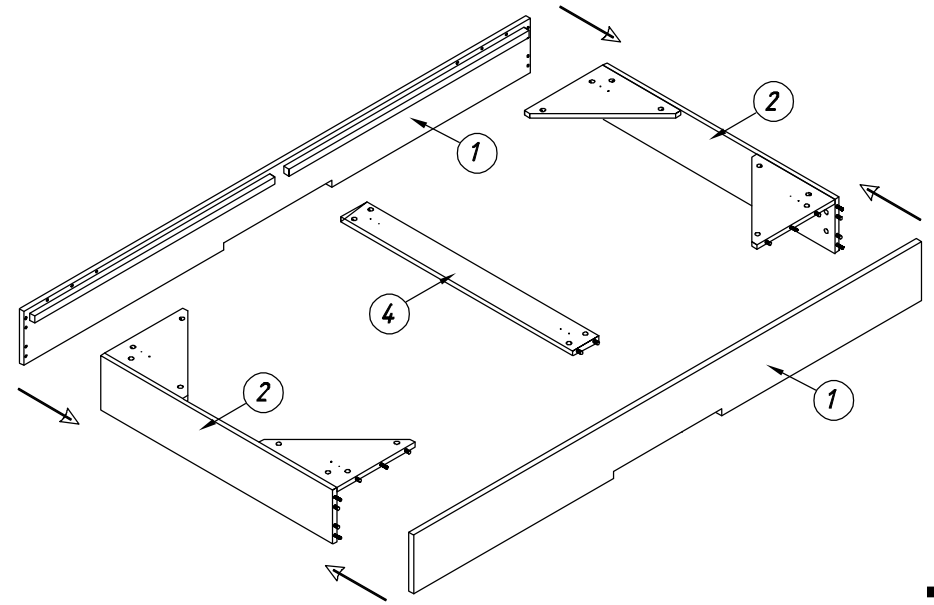
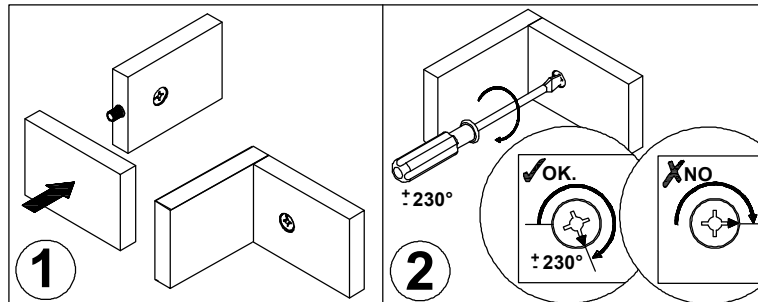
4



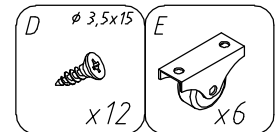
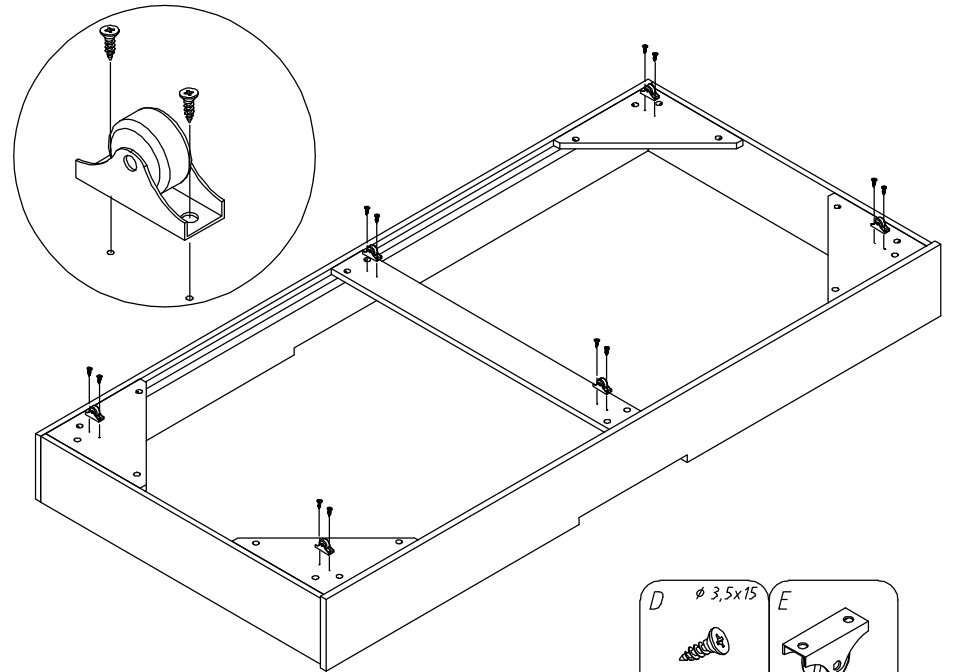
5



6



7



8