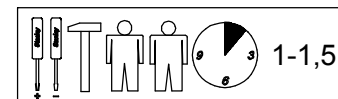
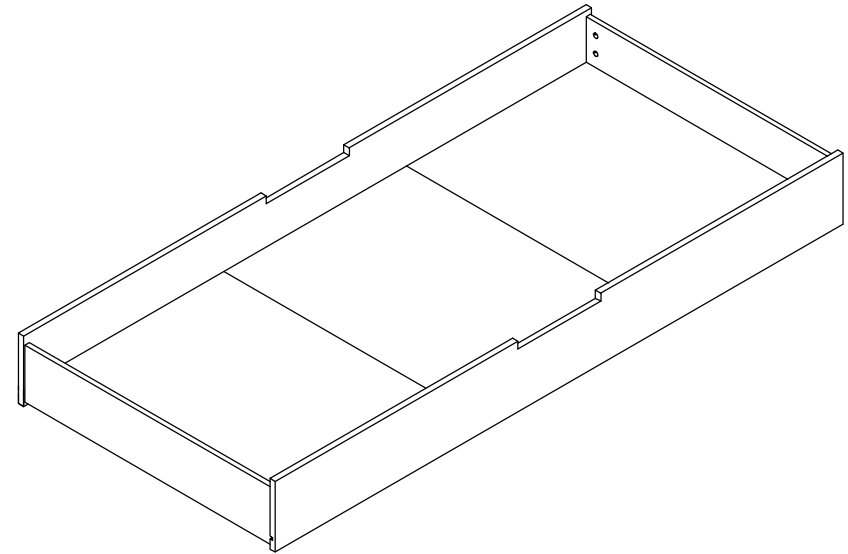


Instruction Manual

## Corsica

DRAWER 90x200

15802711



DISTRIBUTOR:

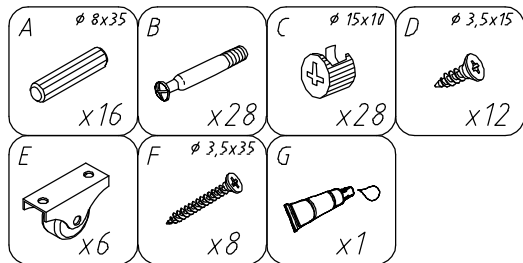
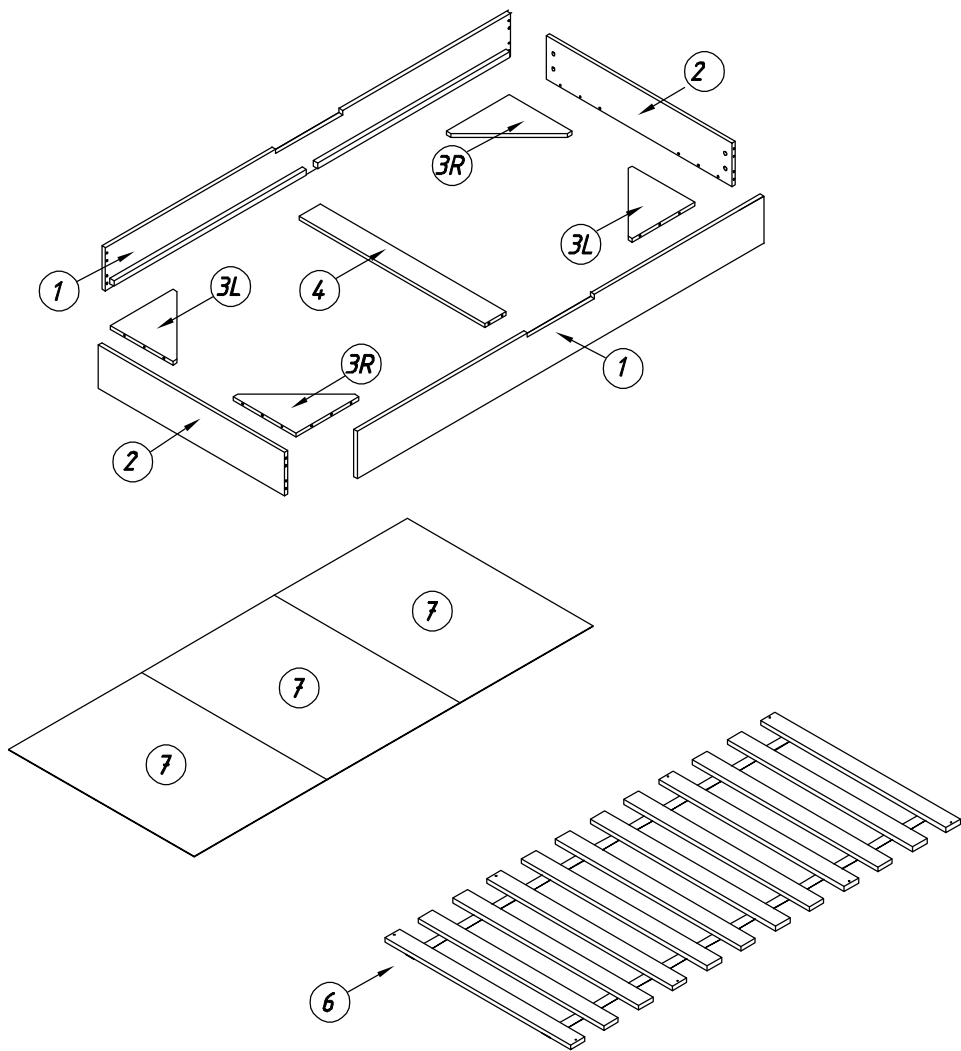
**BOPITA**

*Edisonweg 3, 6662 NW Elst*

*The Netherlands*

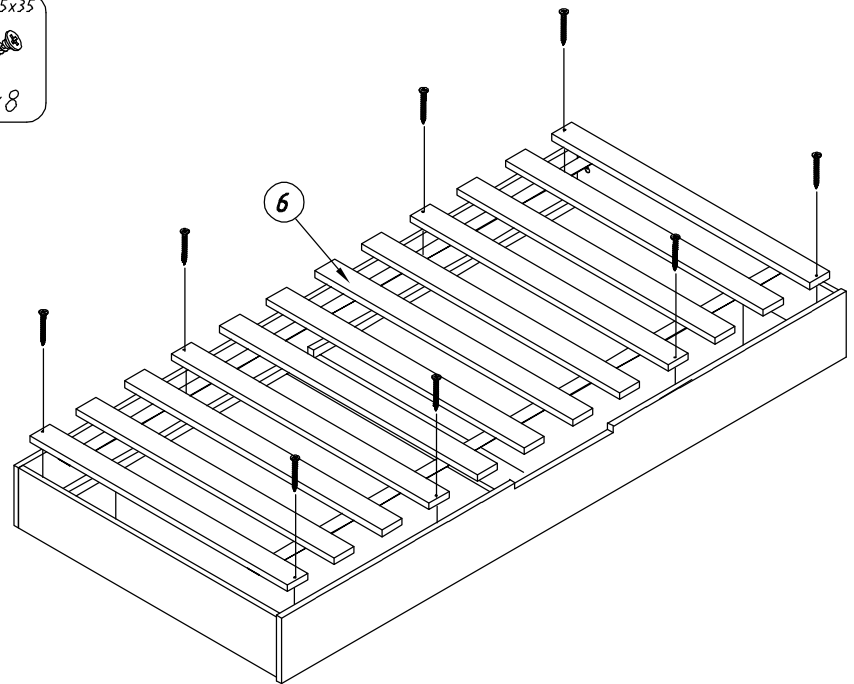
[www.bopita.com](http://www.bopita.com)

30.01.2019.

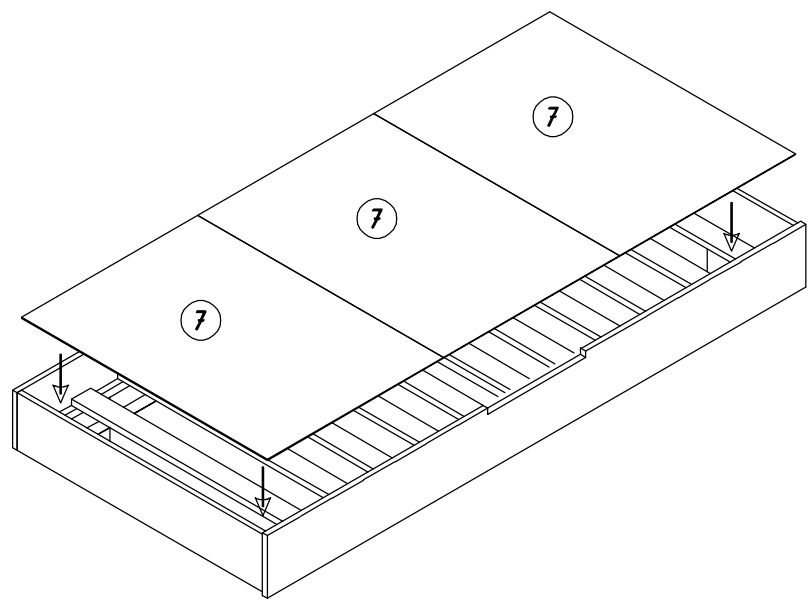


2

F  $\phi$  3,5x35  
x8

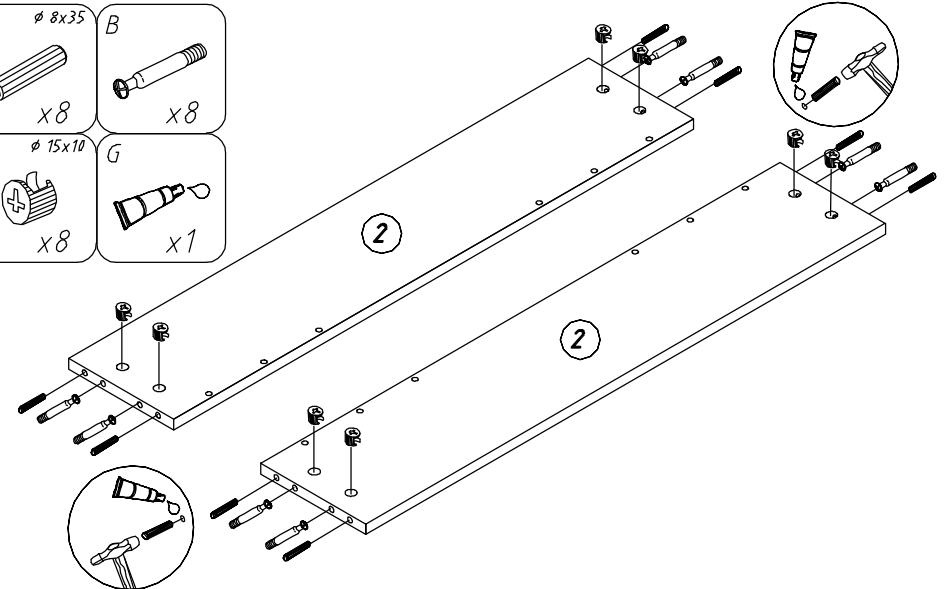


9

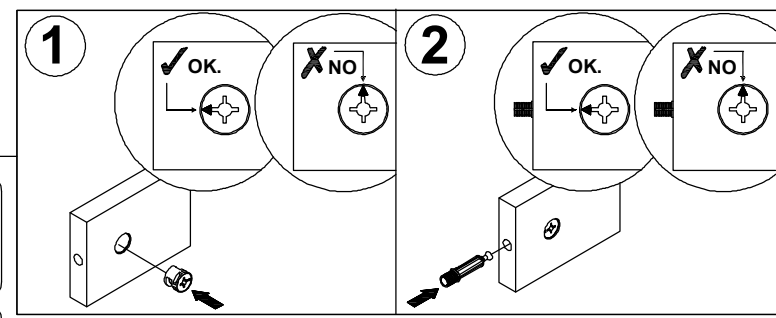


10

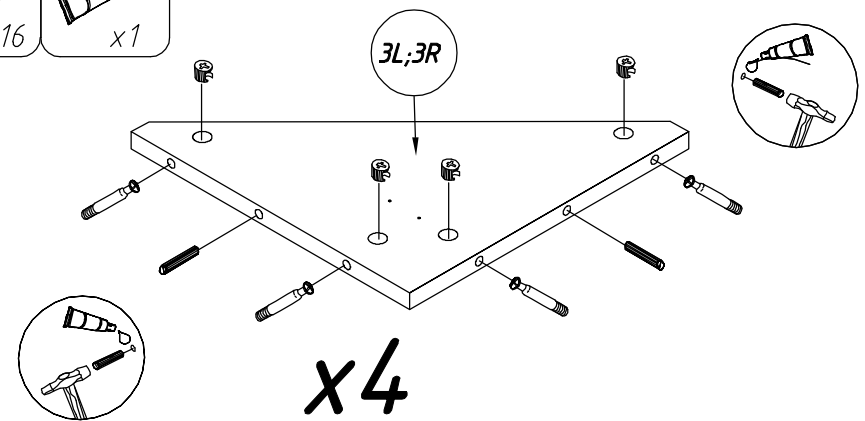
A  $\phi$  8x35 x8  
B x8  
C  $\phi$  15x10 x8  
G x1



3

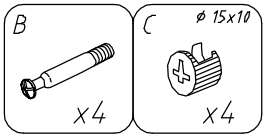


A  $\phi$  8x35 x8  
B x16  
C  $\phi$  15x10 x16  
G x1

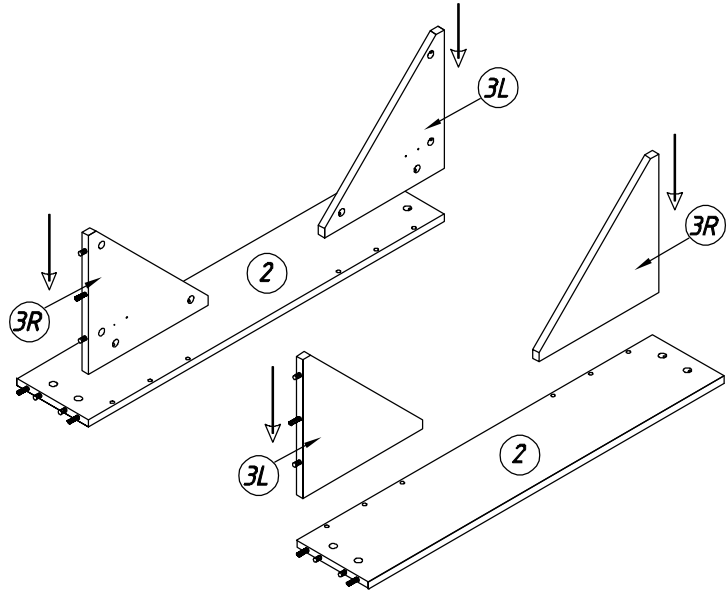
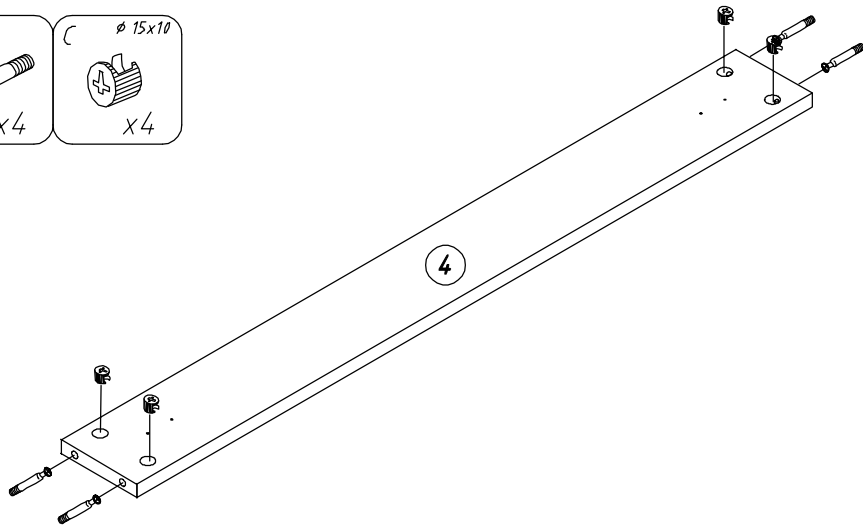


x4

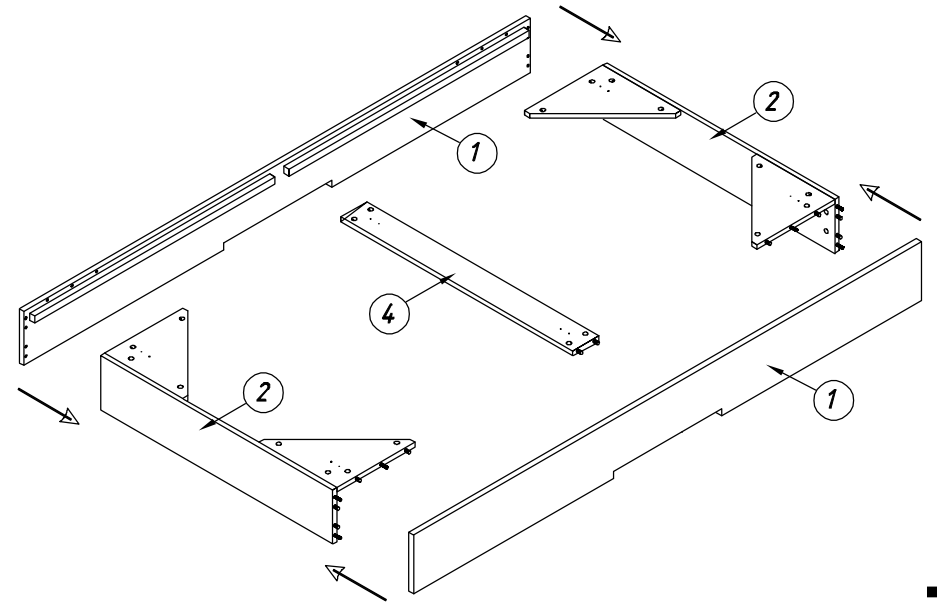
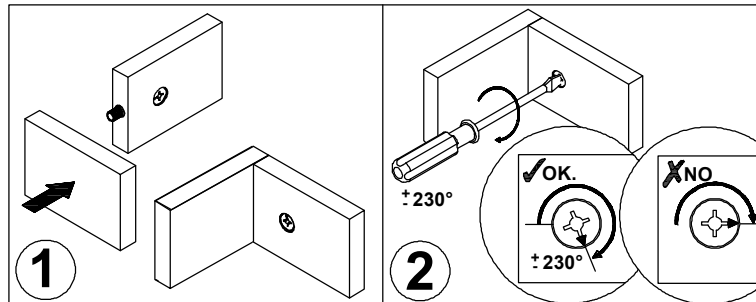
4



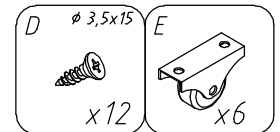
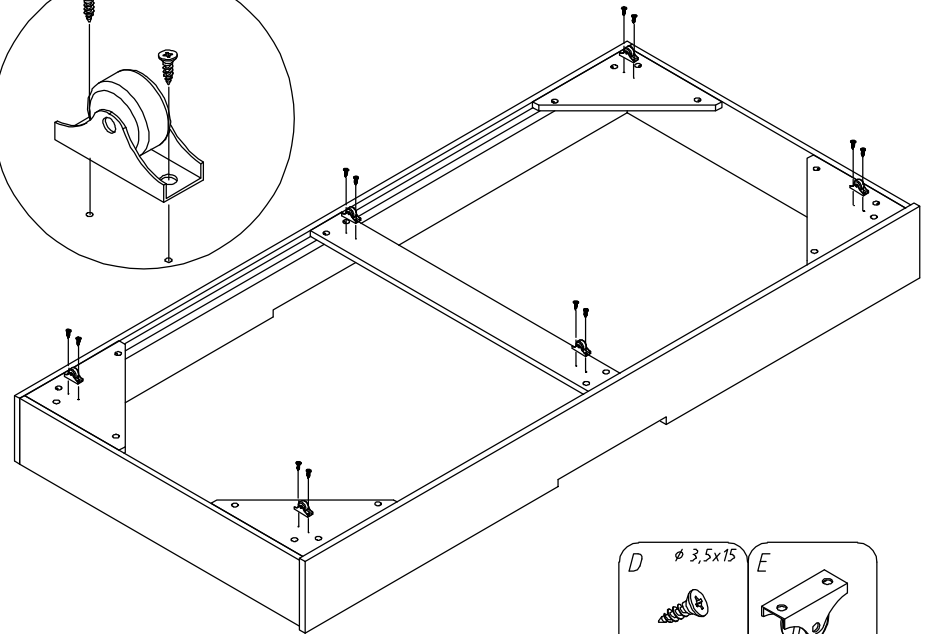
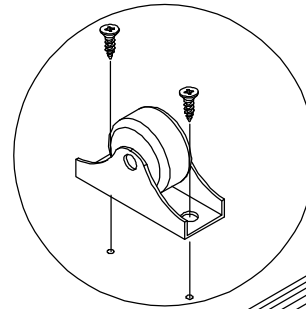
5



6



7



8