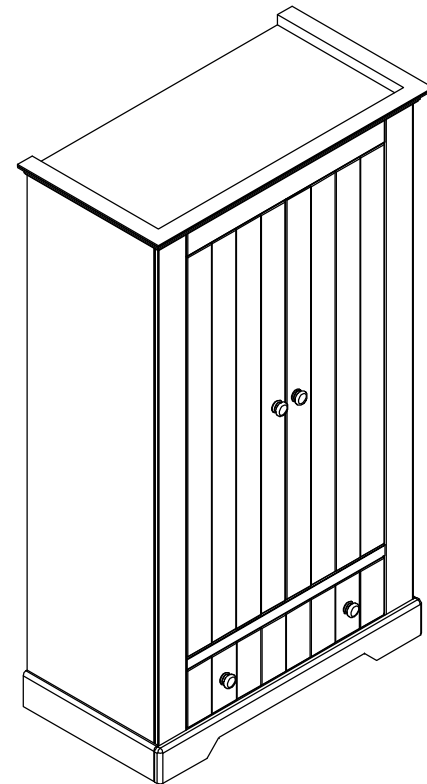


Manual Instruction

## Narbonne

WARDROBE

16 01 11



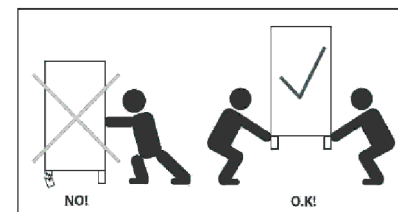
DISTRIBUTOR:

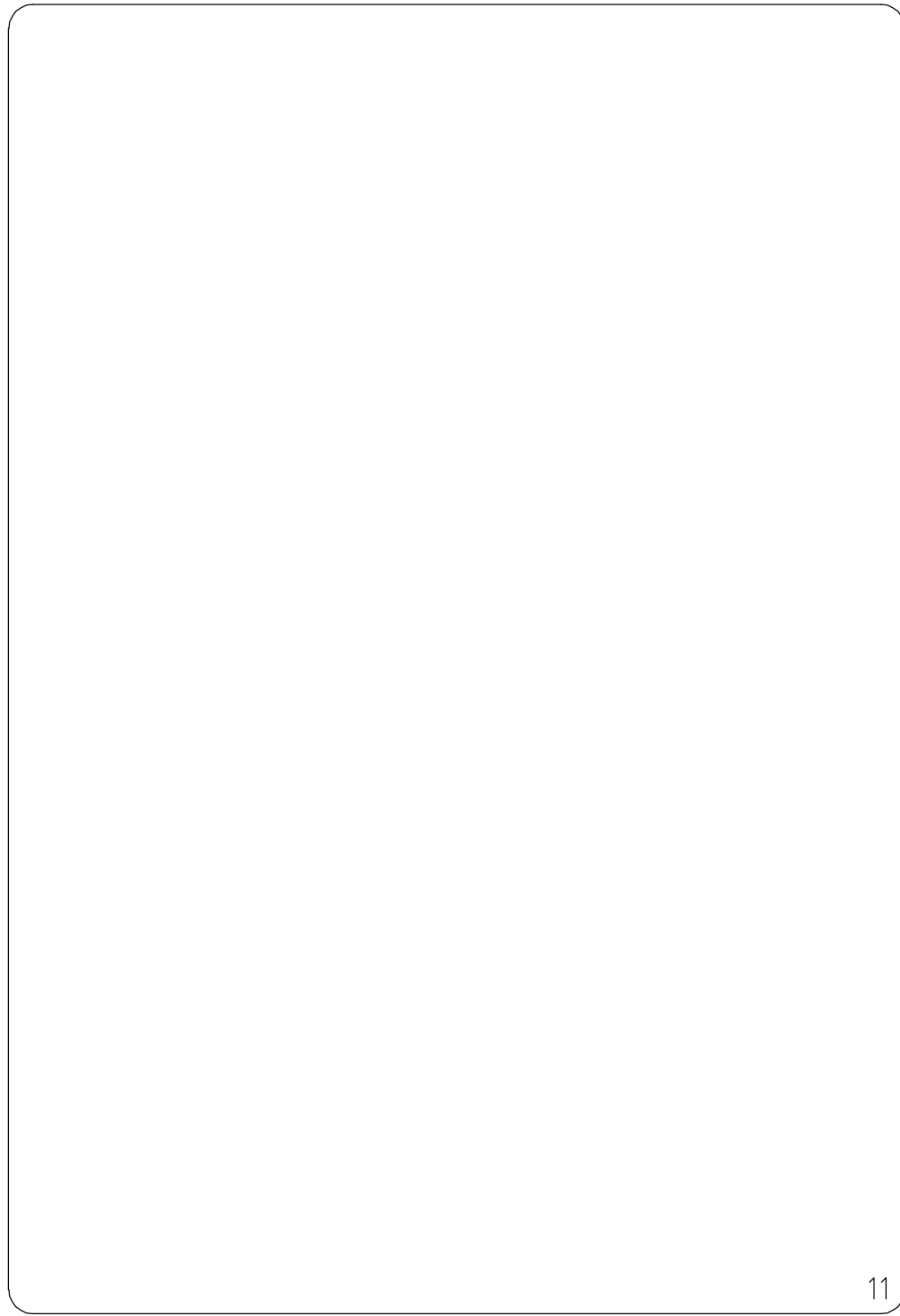
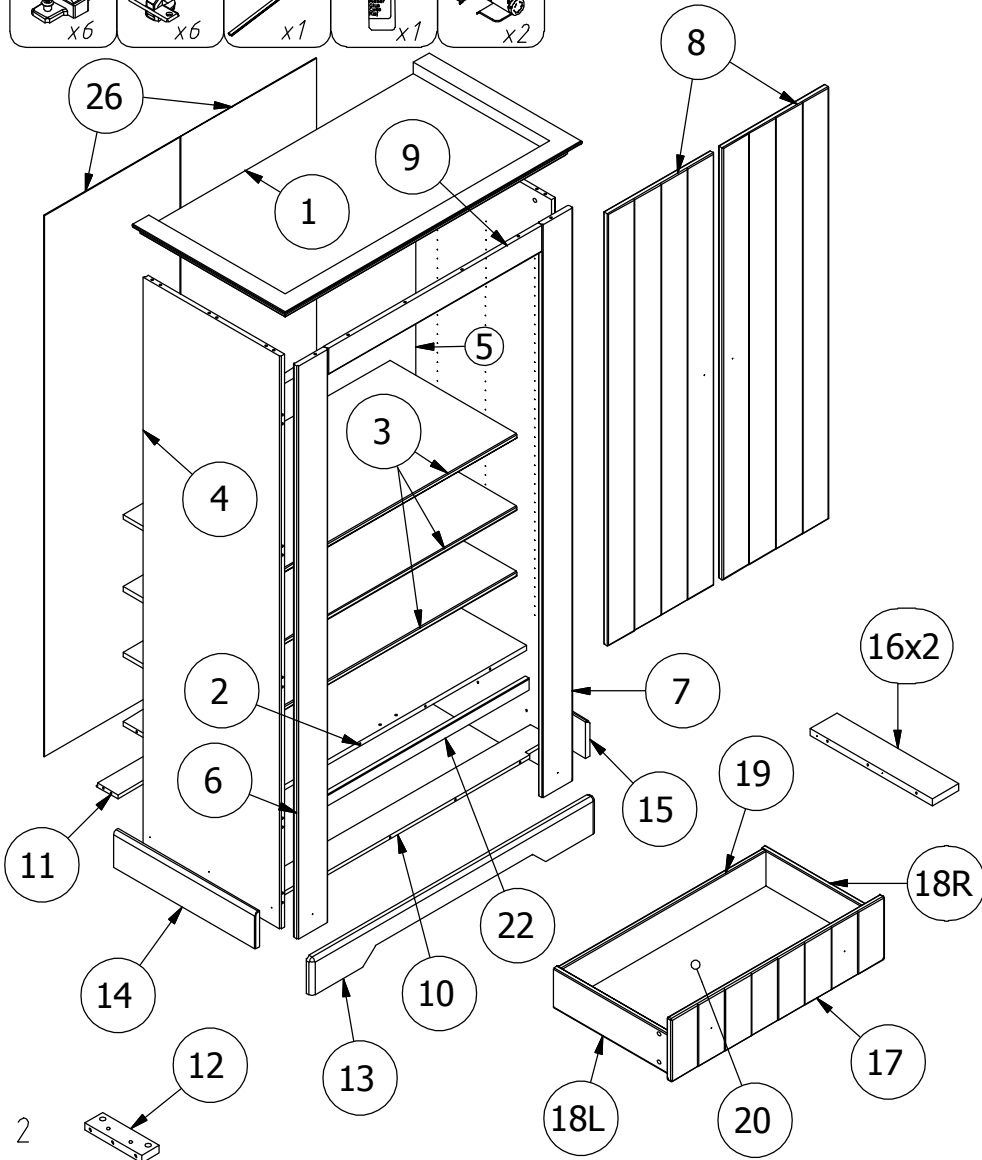
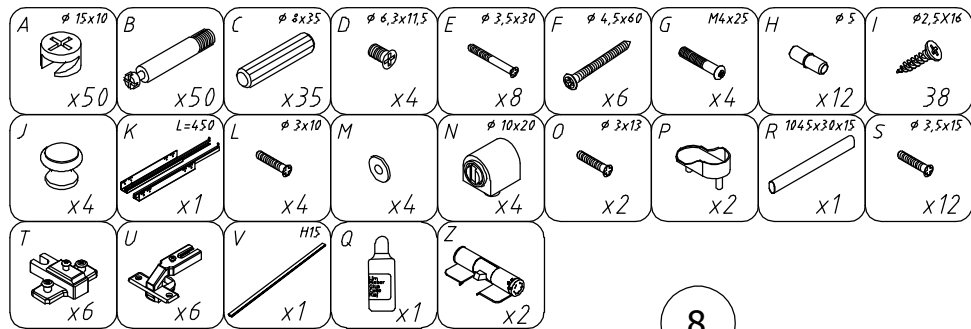
**BOPITA**

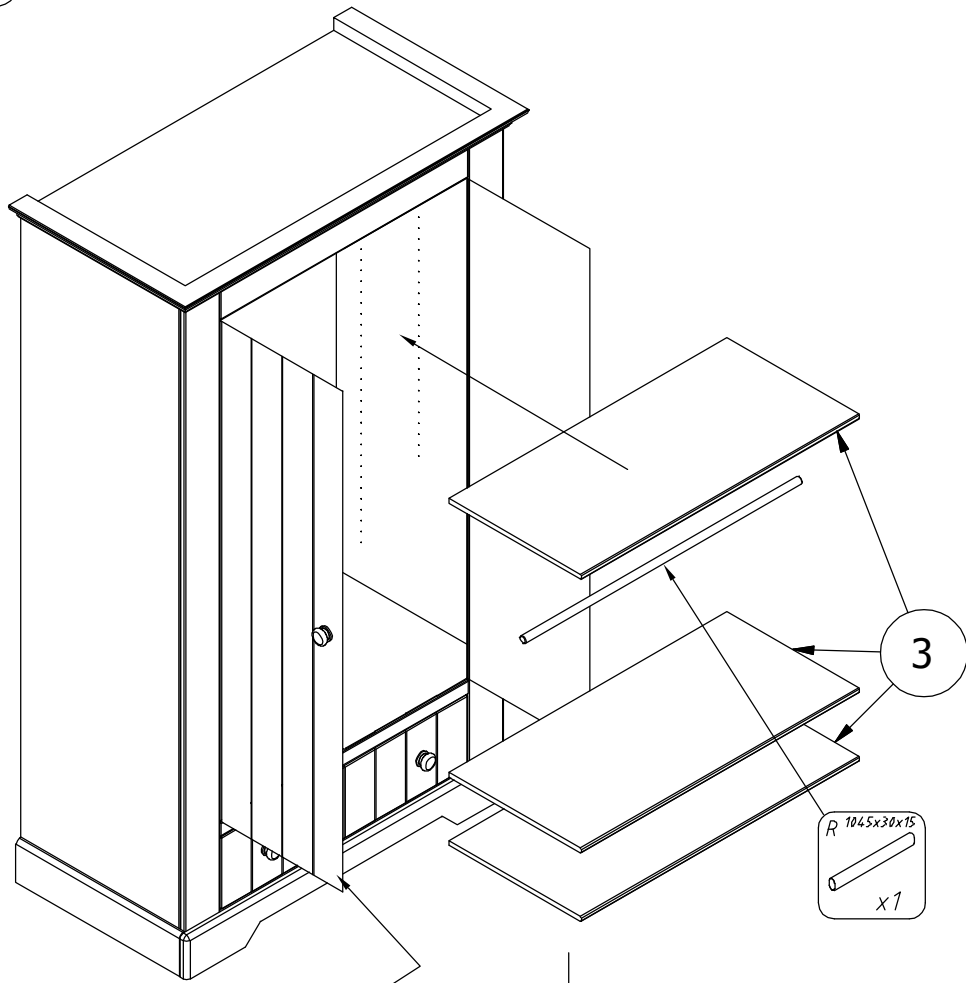
*Edisonweg 3, 6662 NW Elst*

*The Netherlands*

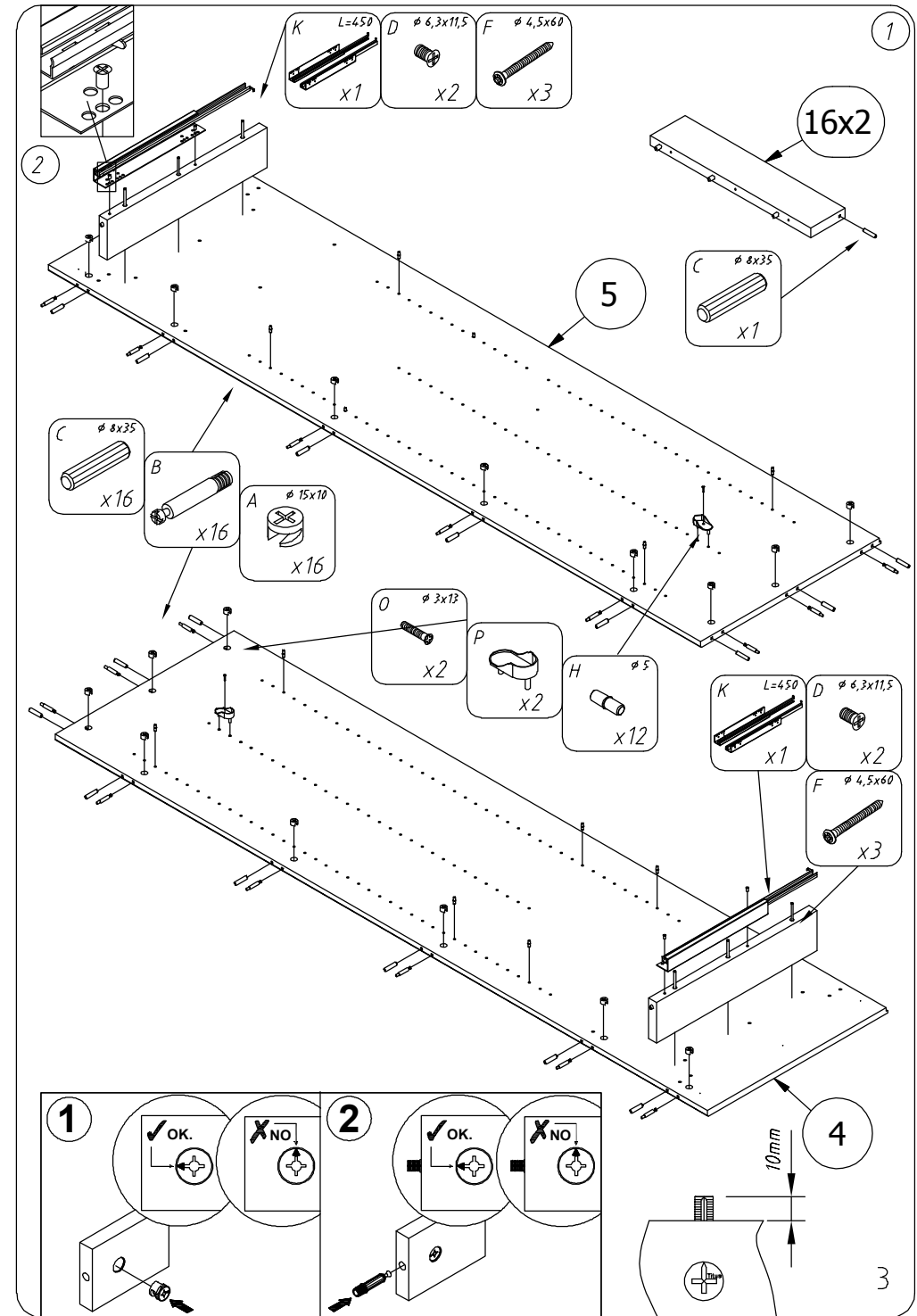
[www.bopita.com](http://www.bopita.com)







R 1045x30x15  
x1



16x2

C φ 8x35  
x1

C φ 8x35  
x16

B φ 8x35  
x16

A φ 15x10  
x16

O φ 3x12  
x2

P φ 5  
x2

H φ 5  
x12

K L=450  
x1

D φ 6,3x11,5  
x2

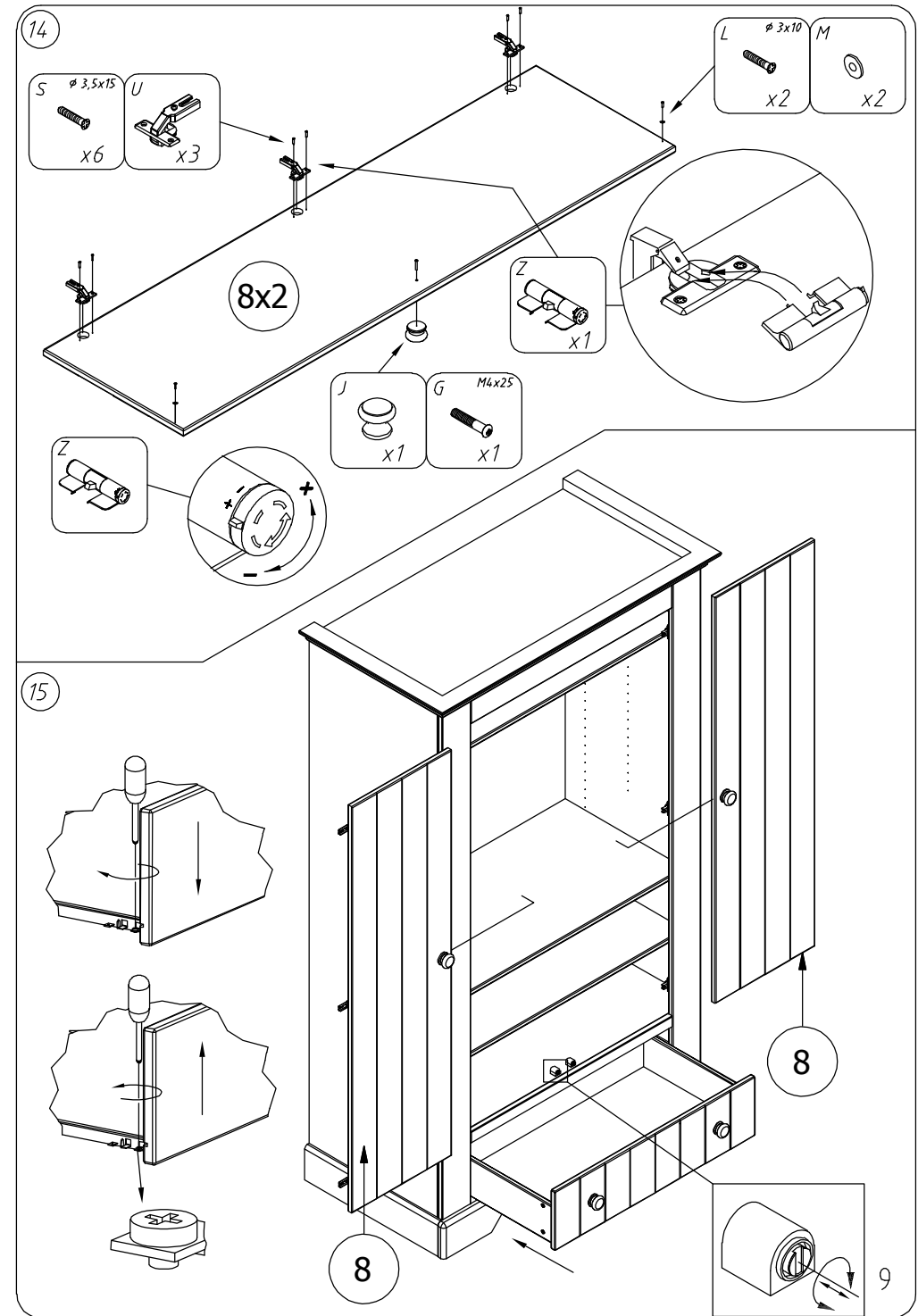
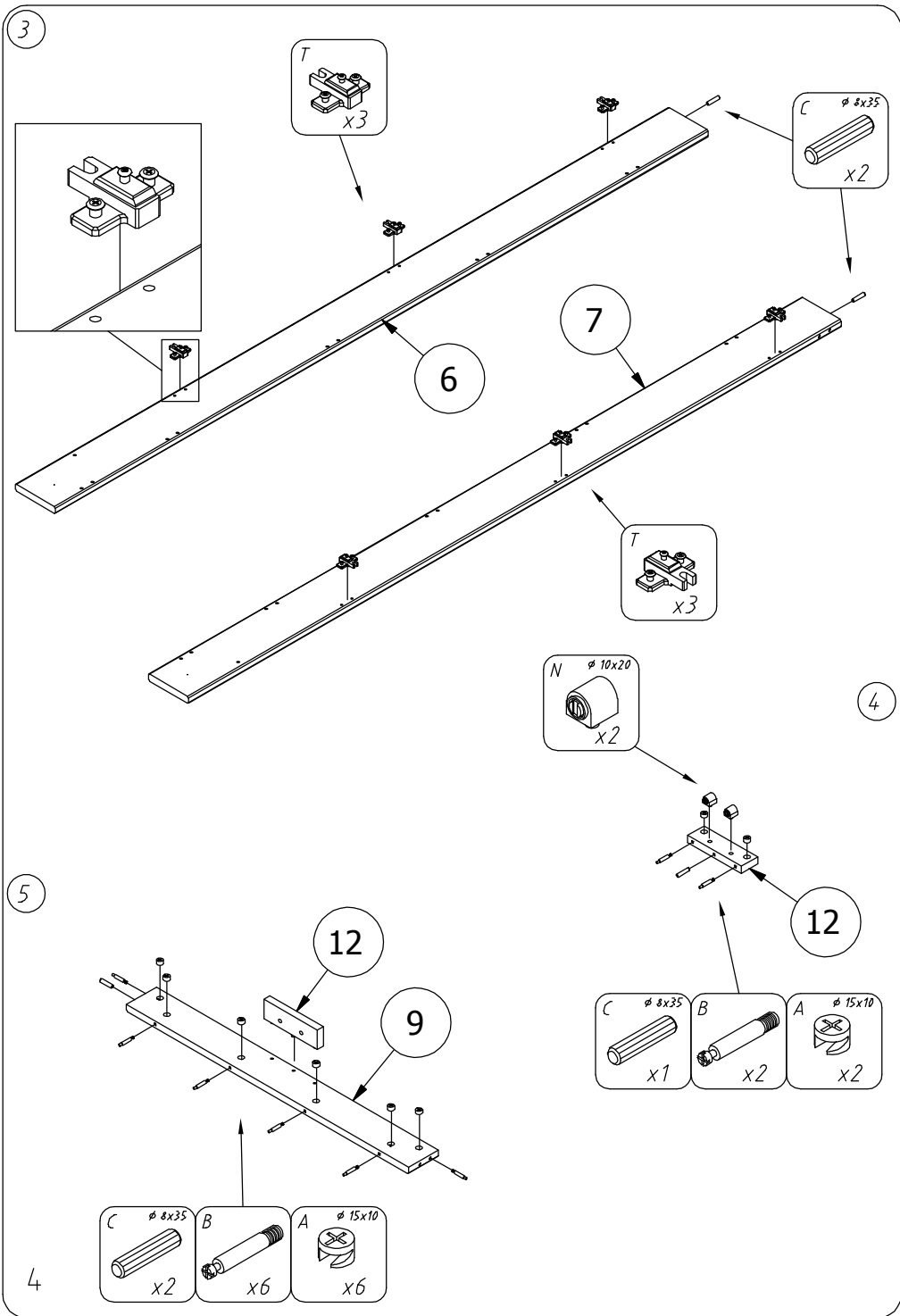
F φ 4,5x60  
x3

1  
OK  
NO

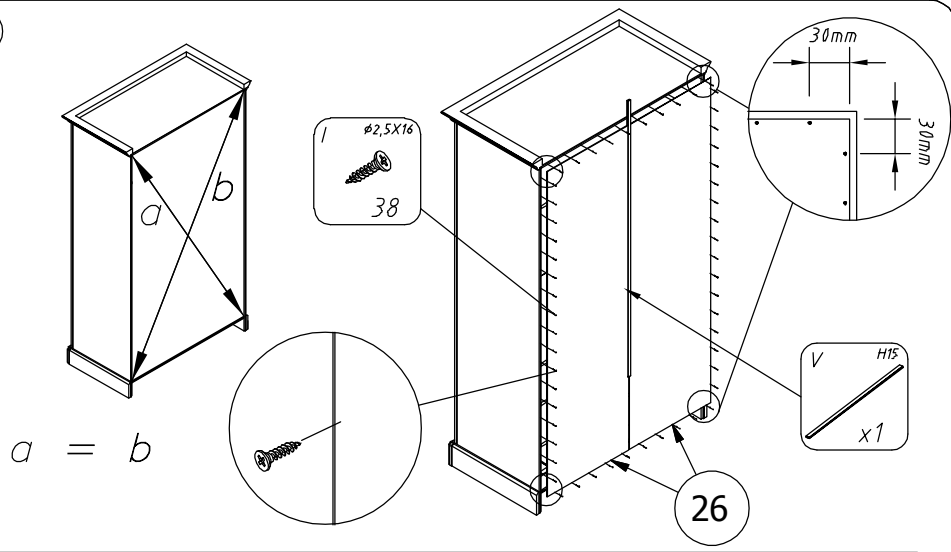
2  
OK  
NO

4

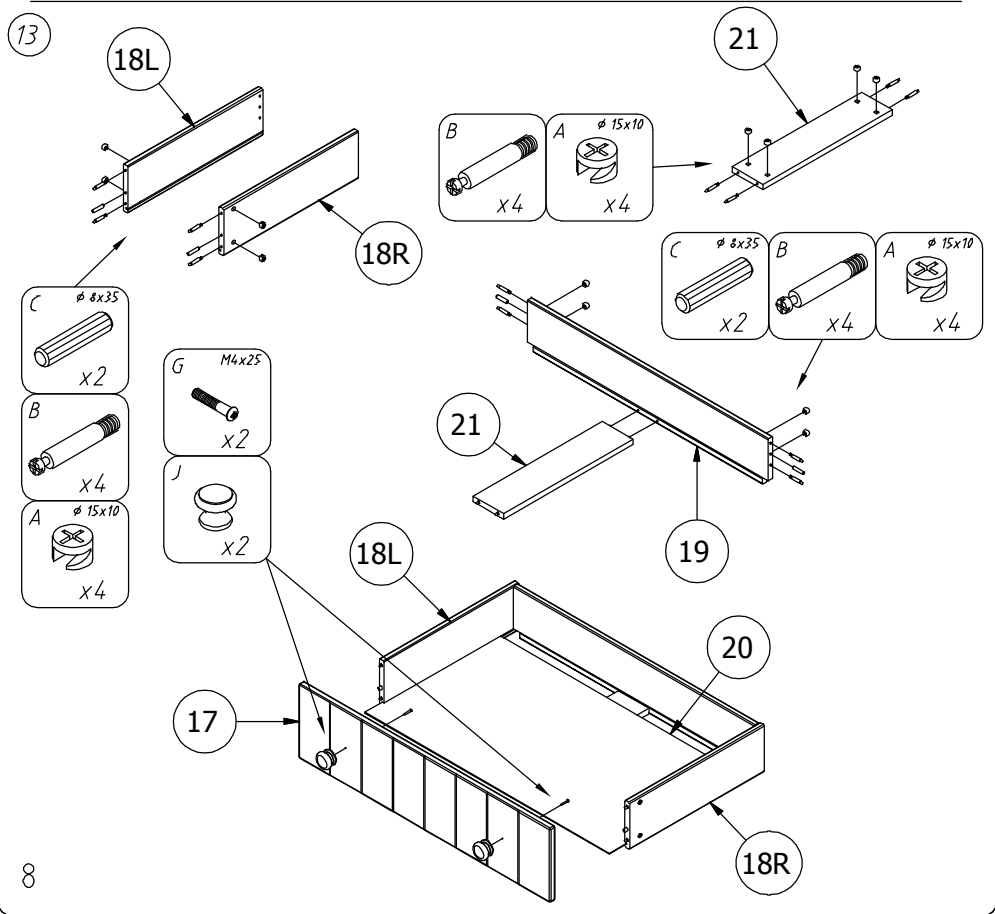
10mm



12

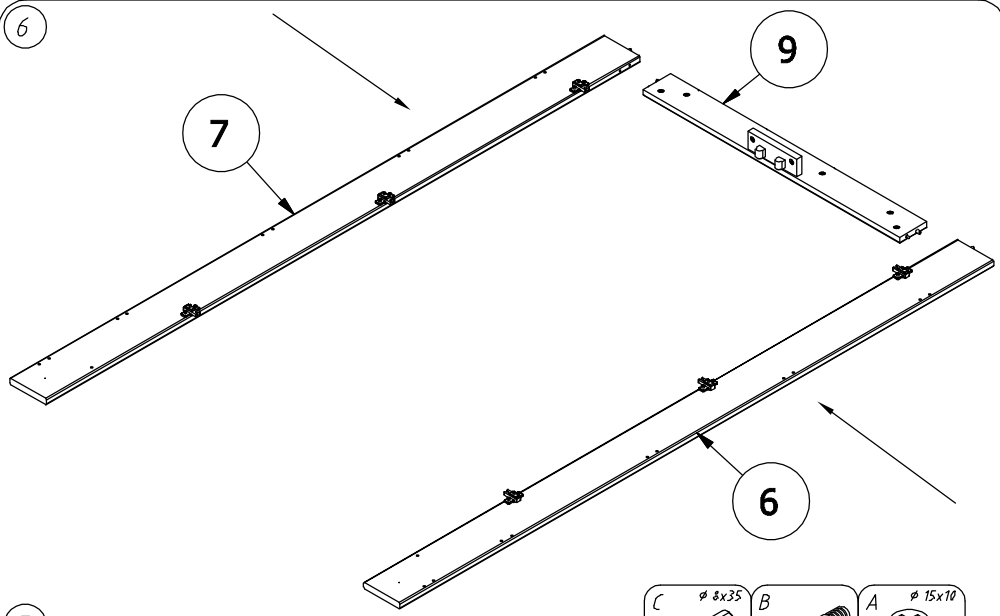


13

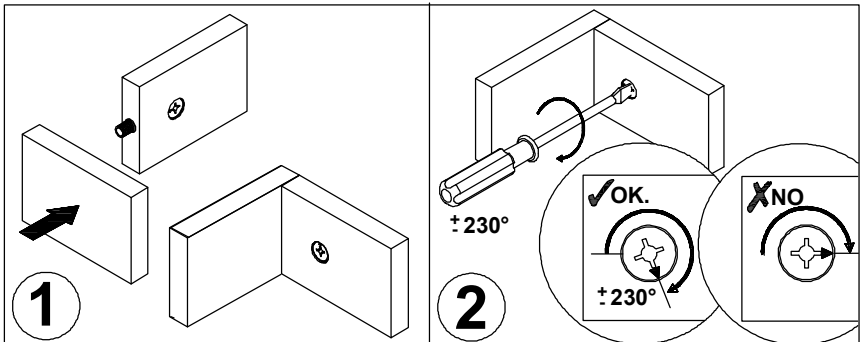
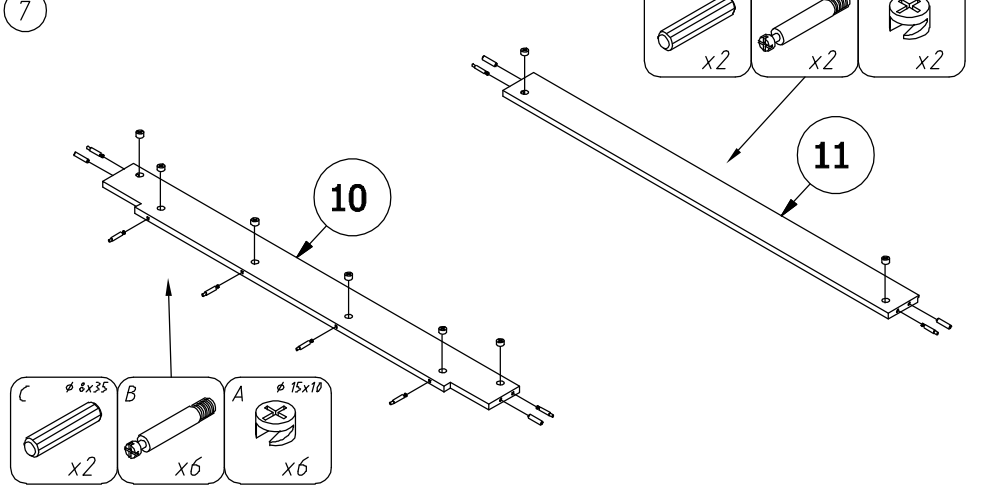


8

6



7



5

