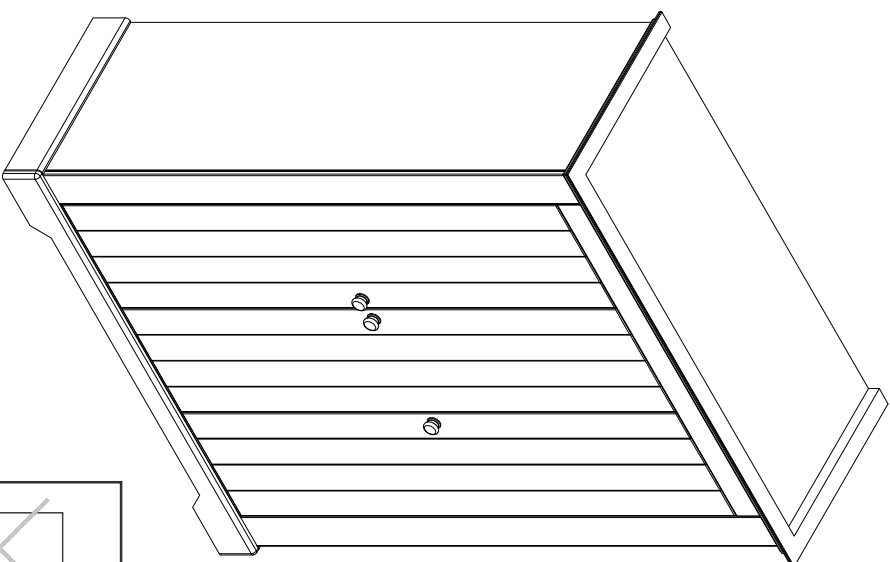


Manual Instruction

**Narbone**

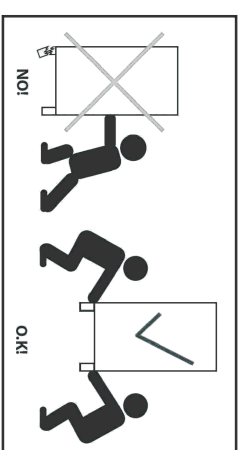
WARDROBE  
56 01 11



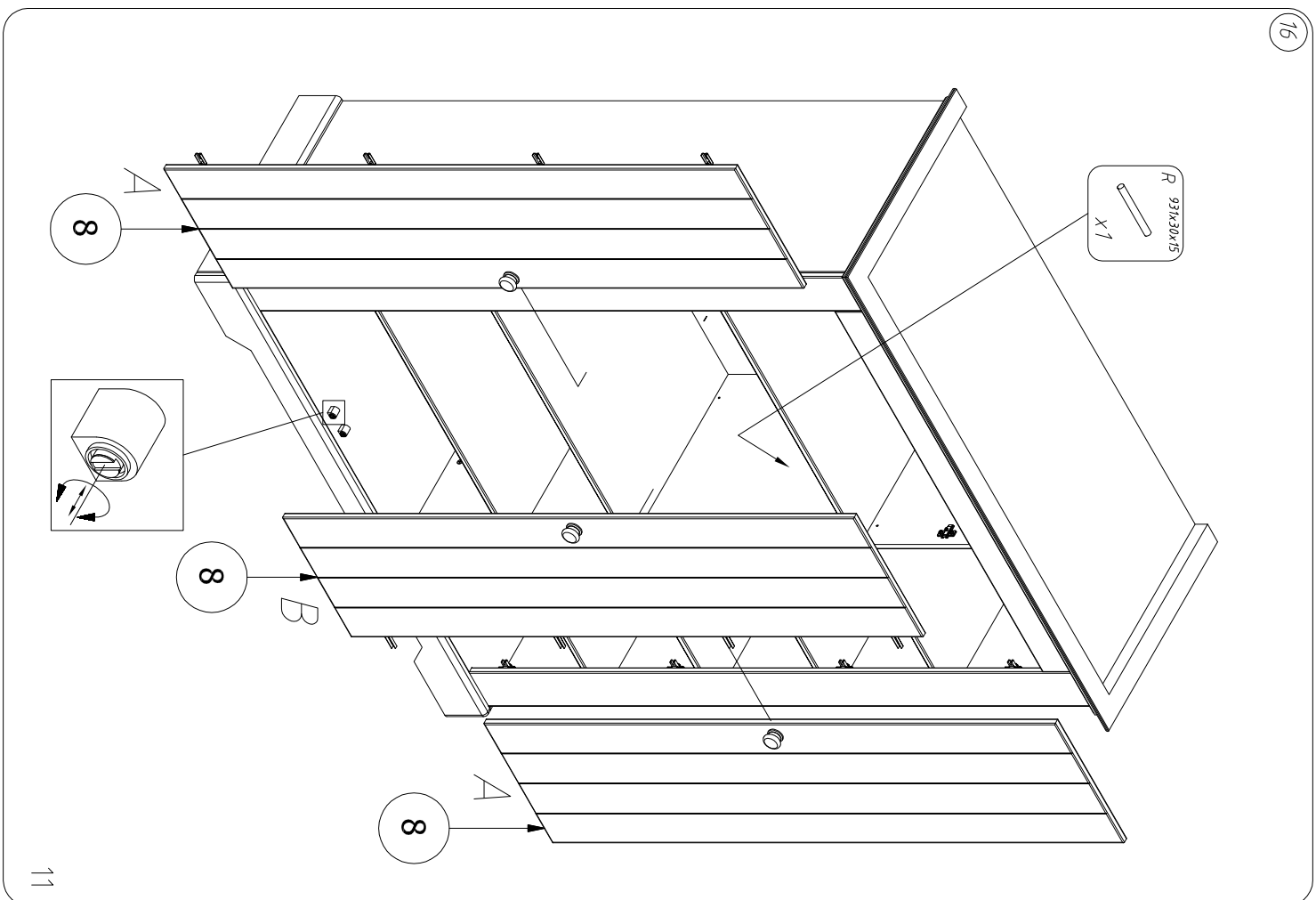
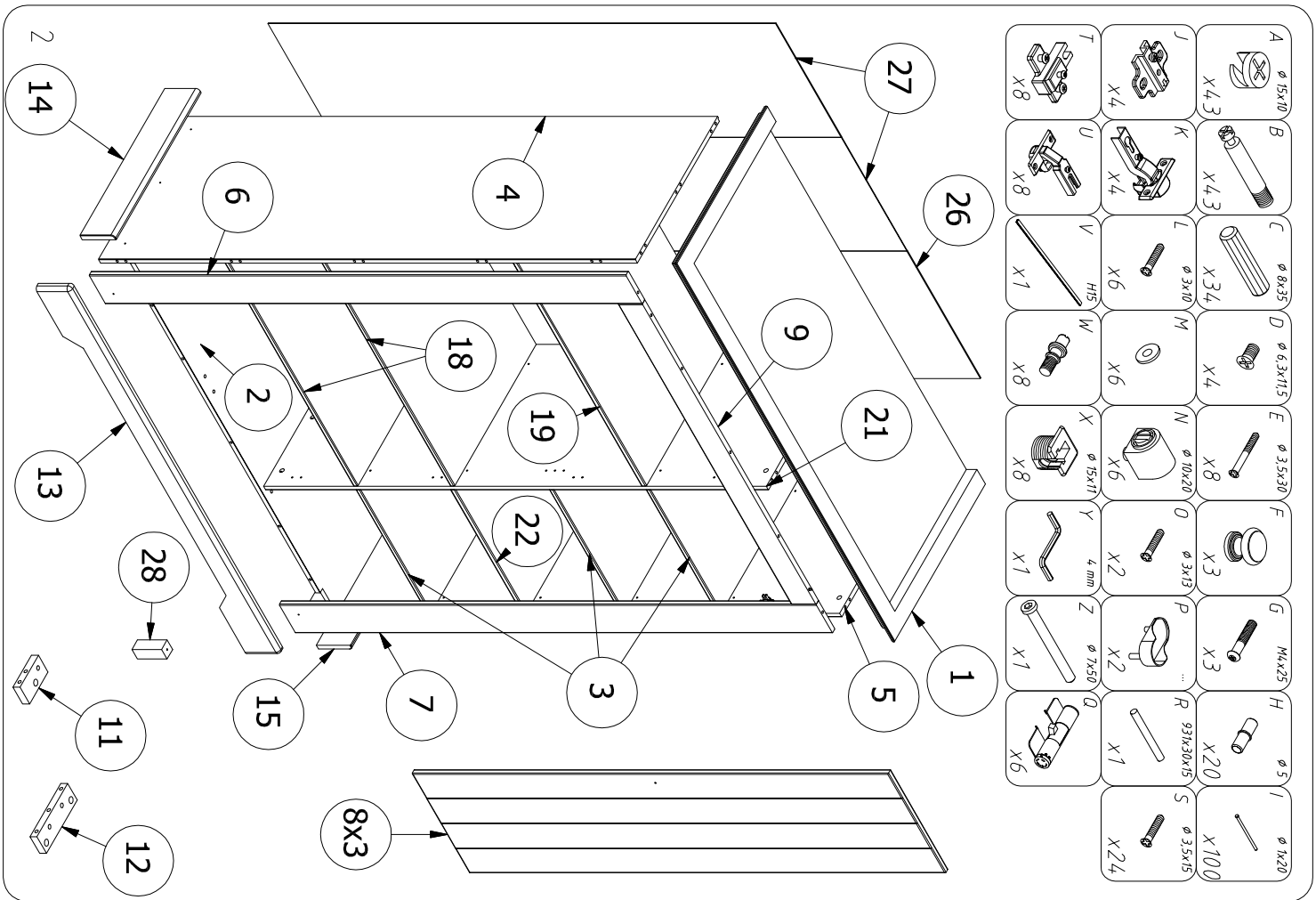
DISTRIBUTOR:

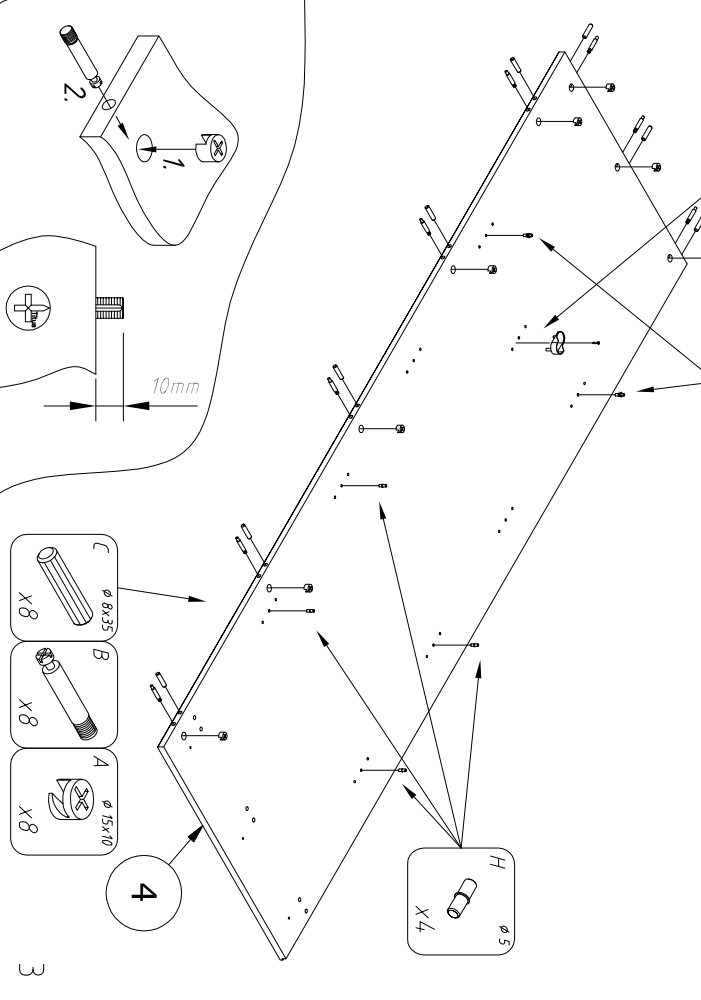
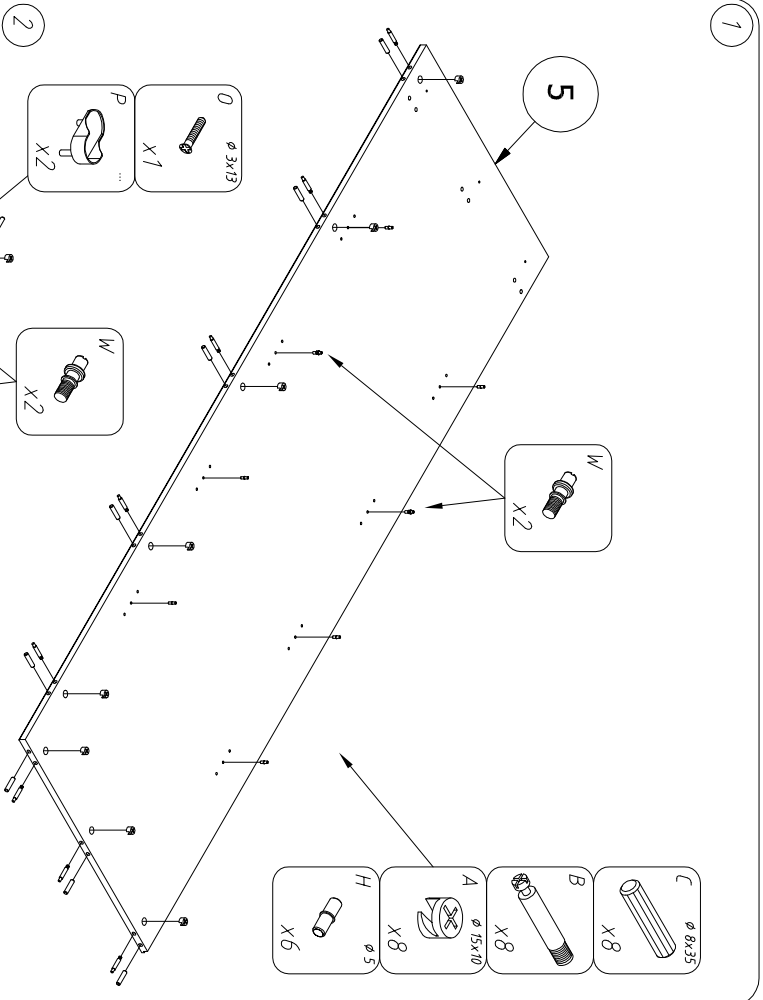
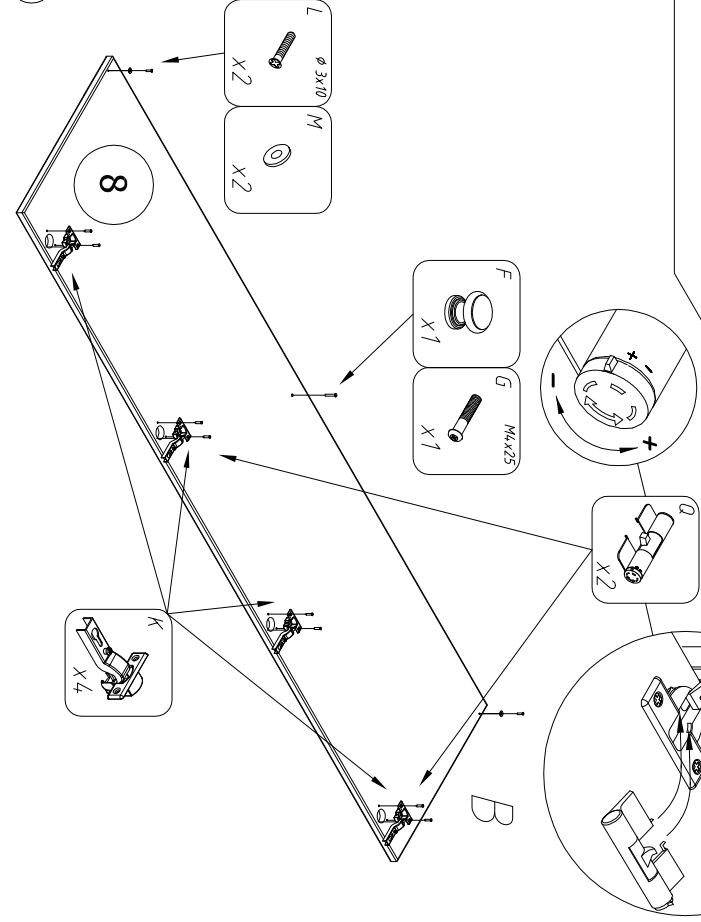
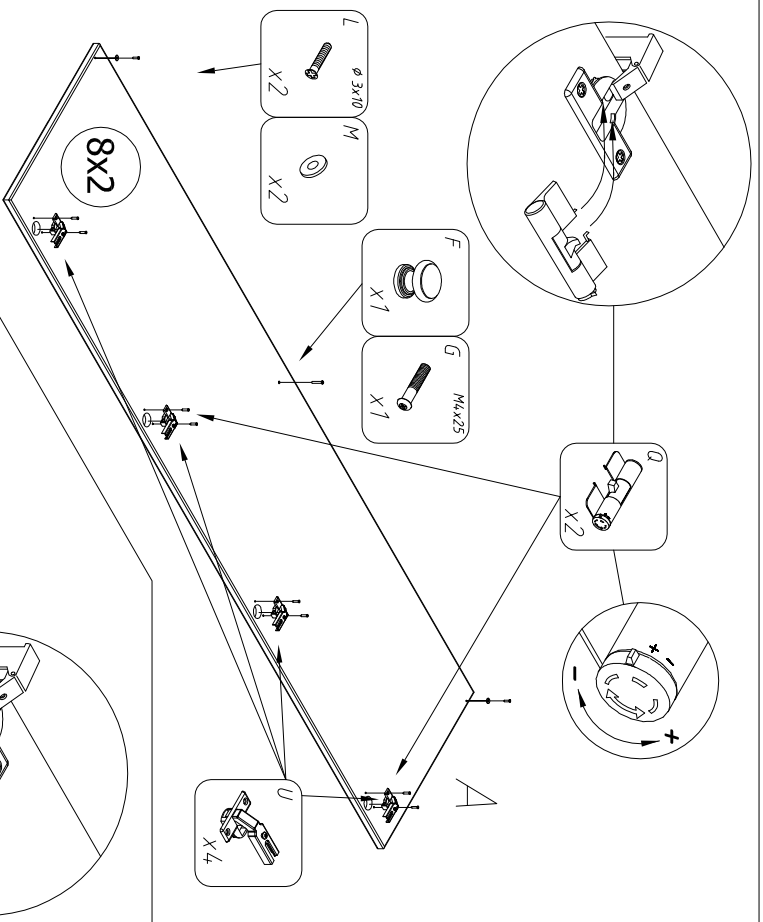
**BOPITA**

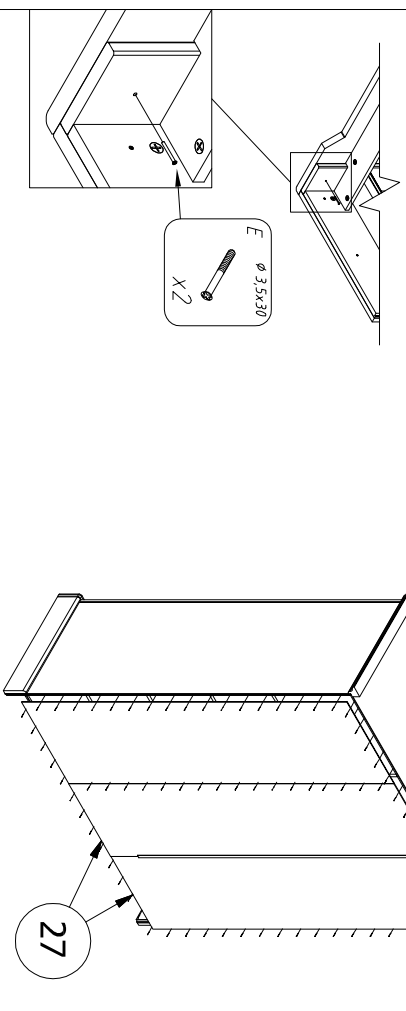
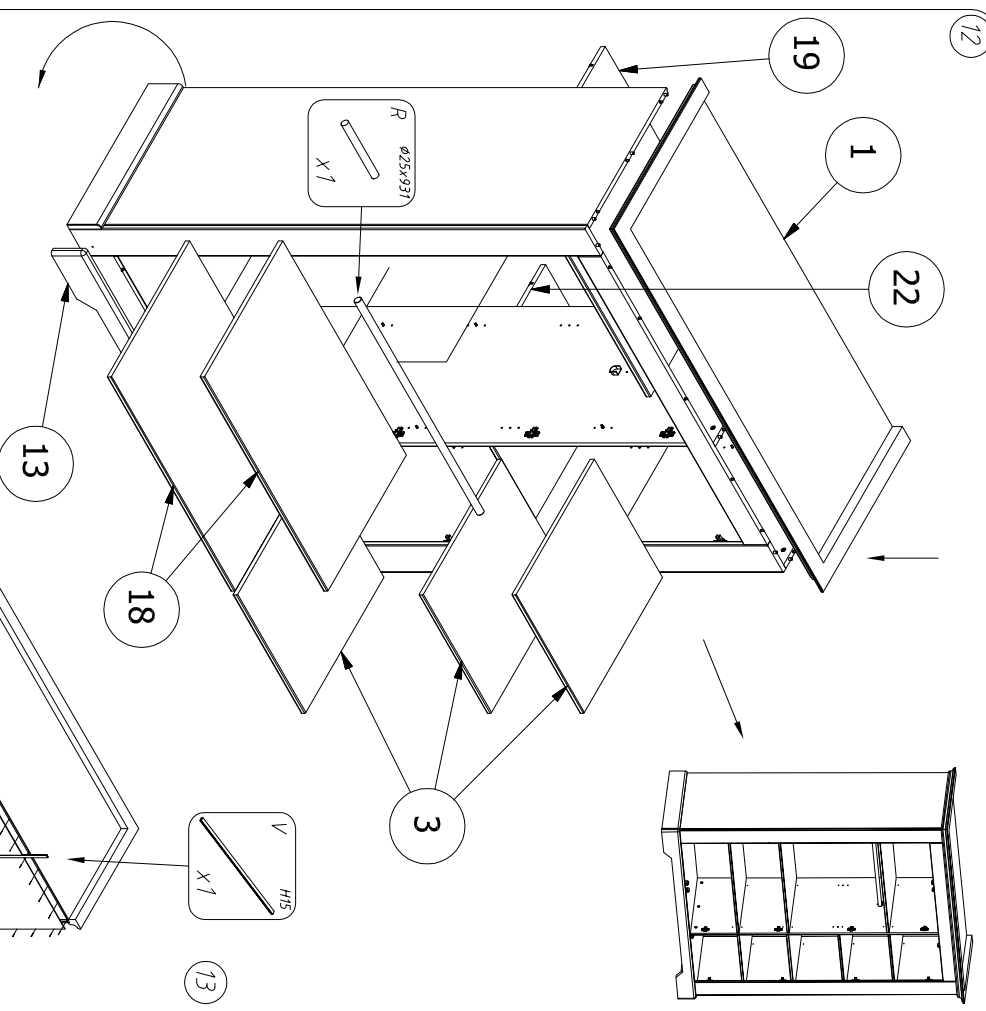
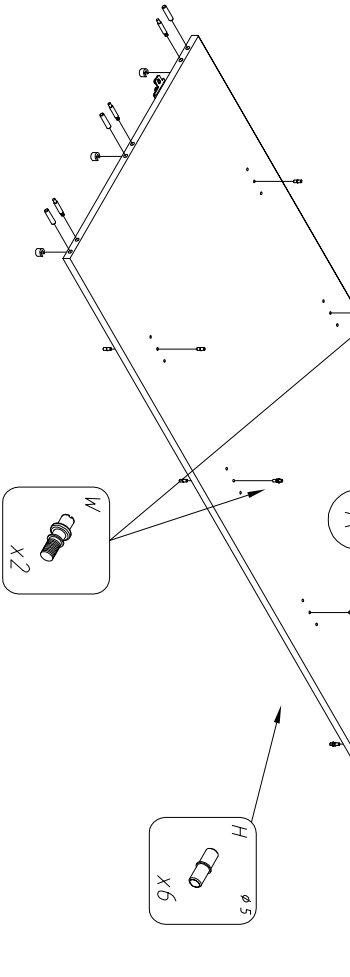
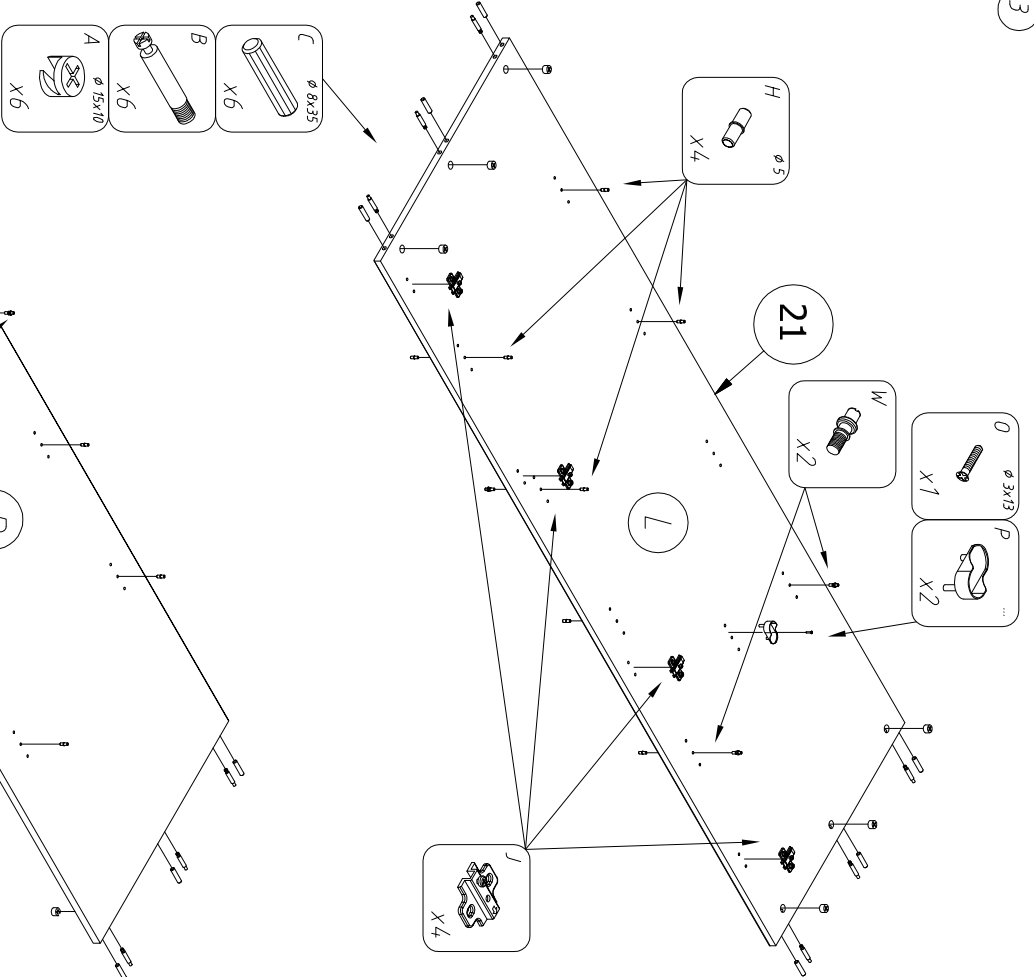
Edisonweg 3, 6662 NW Elst  
The Netherlands  
[www.bopita.com](http://www.bopita.com)



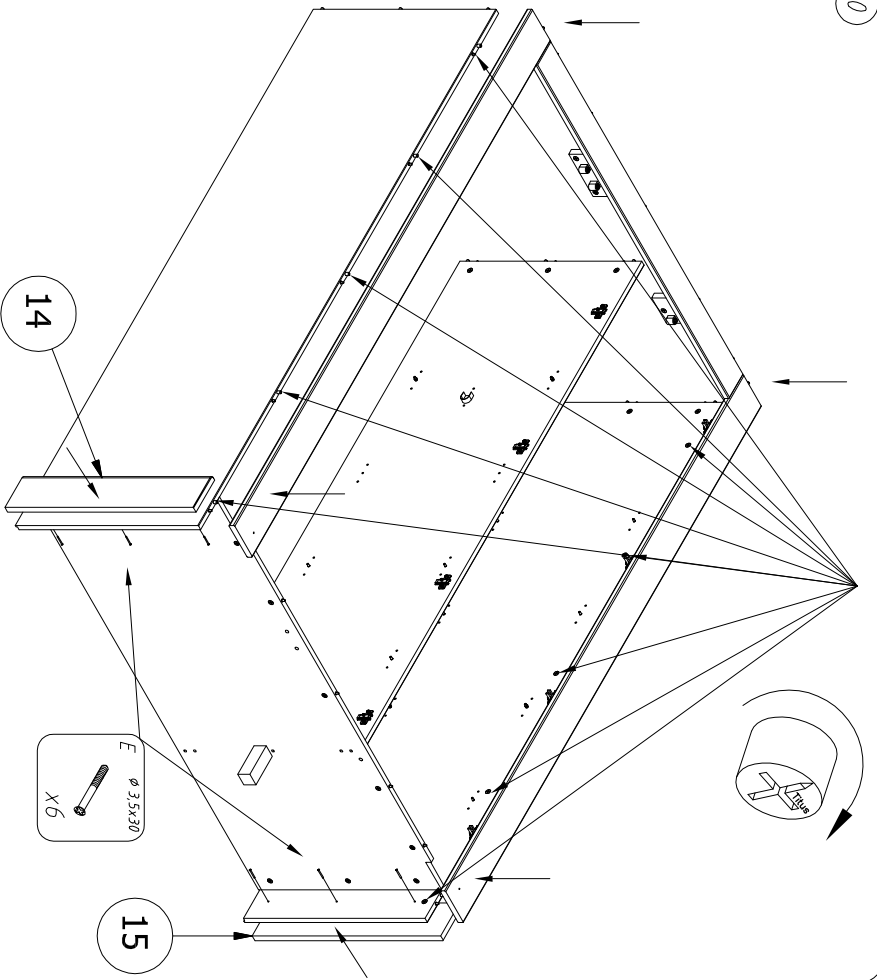
29.11.2011.



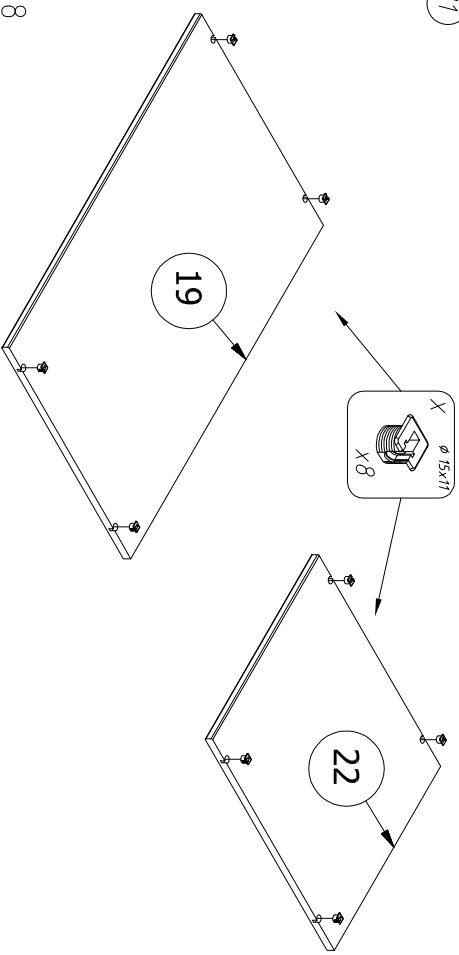




10

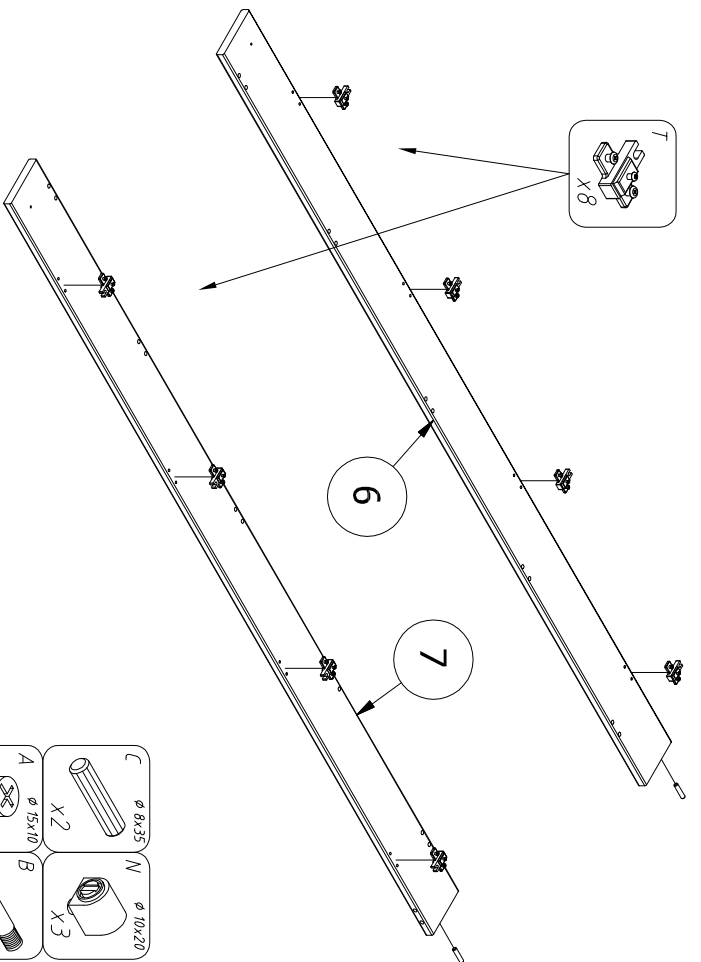


11

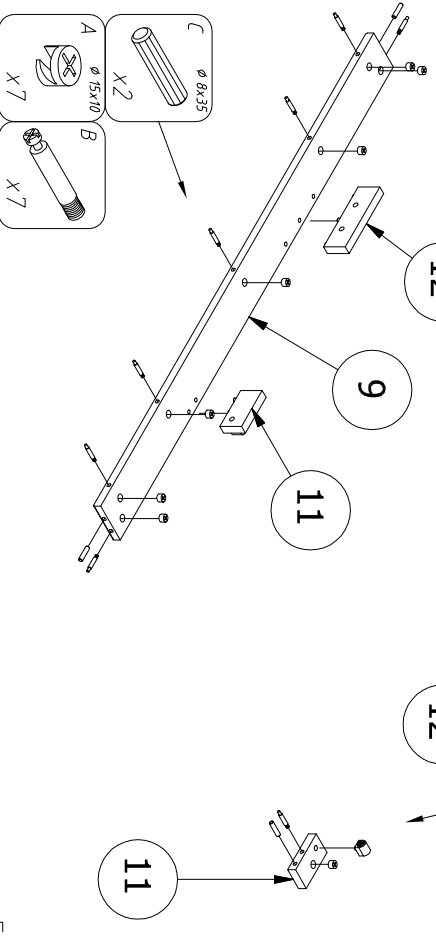


8

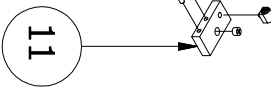
4



6



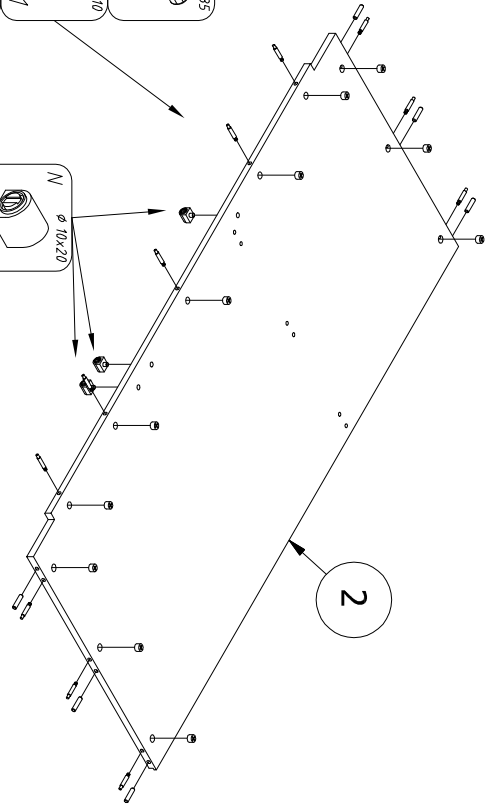
5



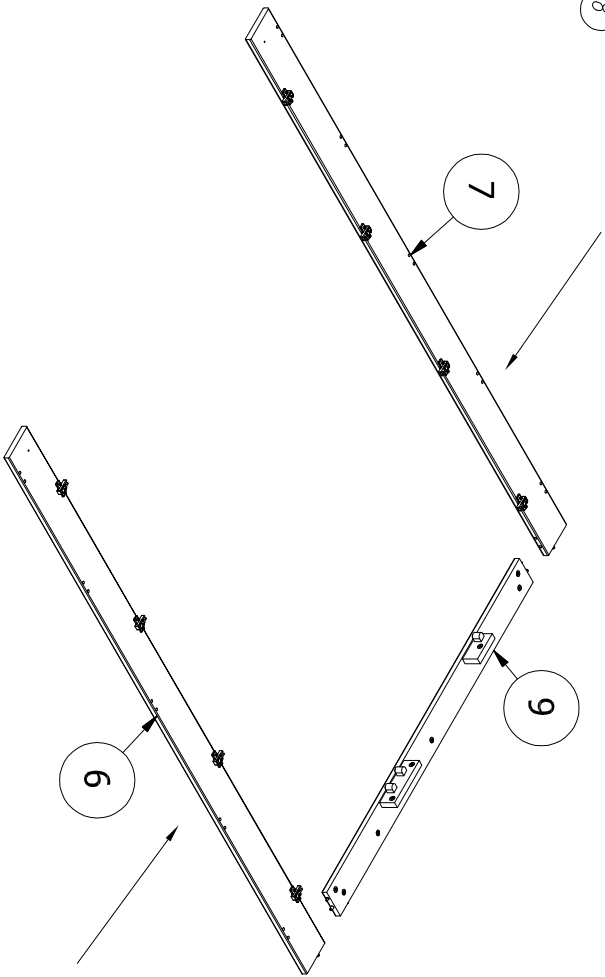
5

- A**  $\phi$  15x10 X 6
- B** X 11
- C**  $\phi$  8x35 X 6

- N**  $\phi$  10x20 X 3



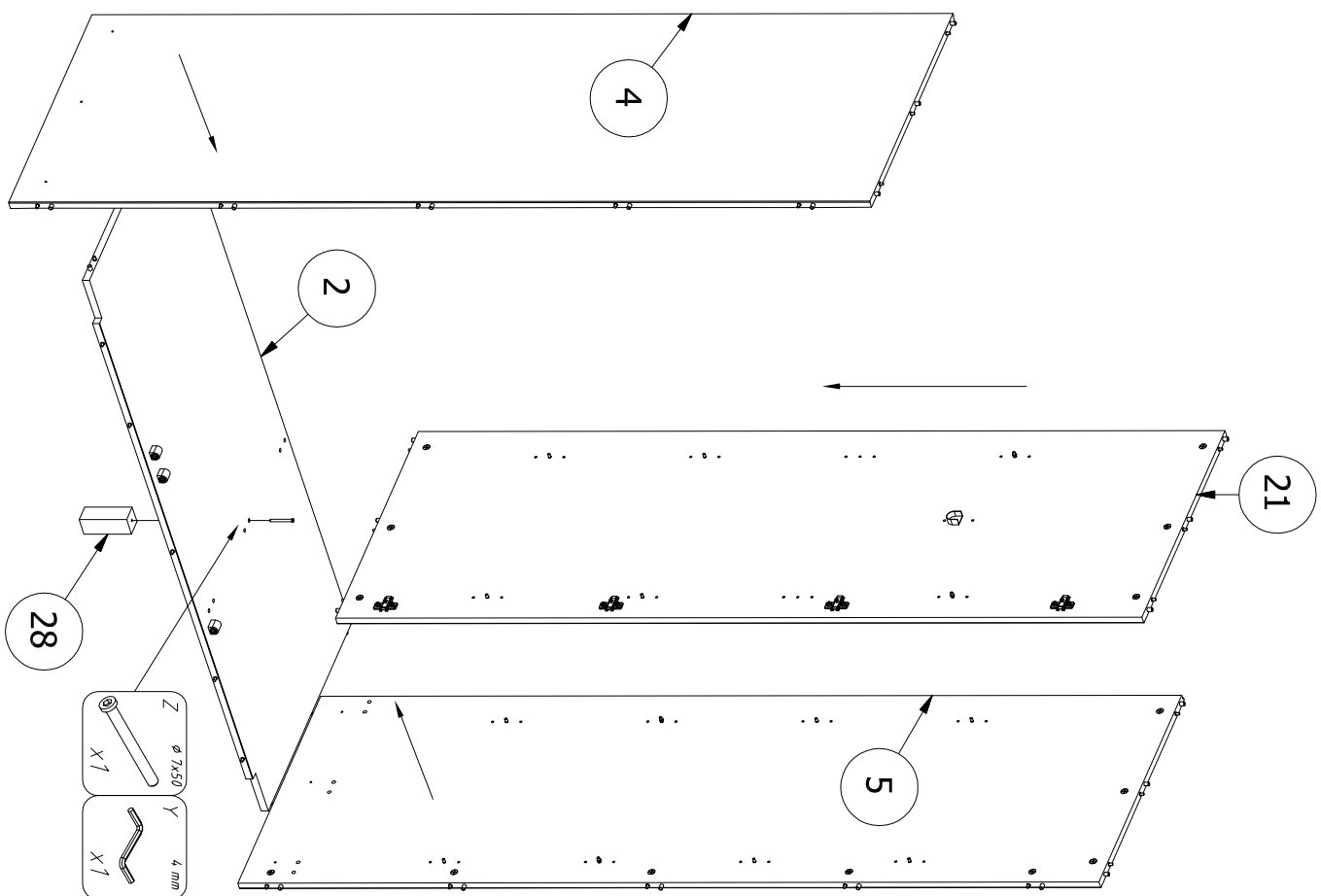
2



7

9

6



4

2

21

5

28

- Z**  $\phi$  7x50 X 1
- Y** 4 mm X 1
- X** X 1