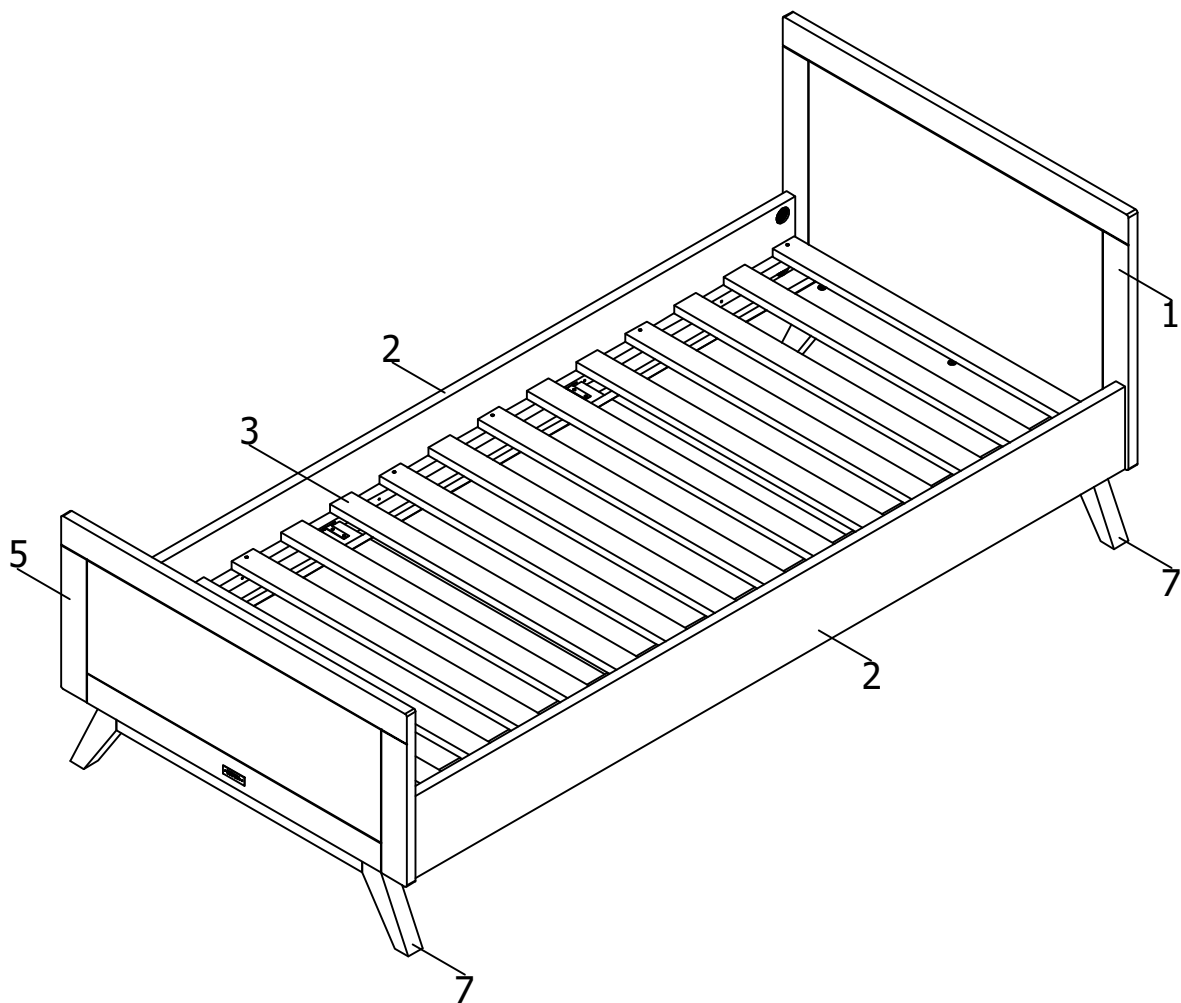


# bopita®

ASSEMBLY INSTRUCTION  
MONTAGE HANDLEIDING  
MONTAGE ANLEITUNG  
NOTICE DE MONTAGE  
MANUAL DE MONTAJE

UK  
NL  
D  
F  
ESP

MODEL :RETRO  
TYPE :BED 90X200  
COLOUR :WHITE  
ART.CODE :154187.11








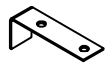


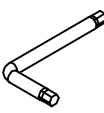
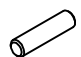


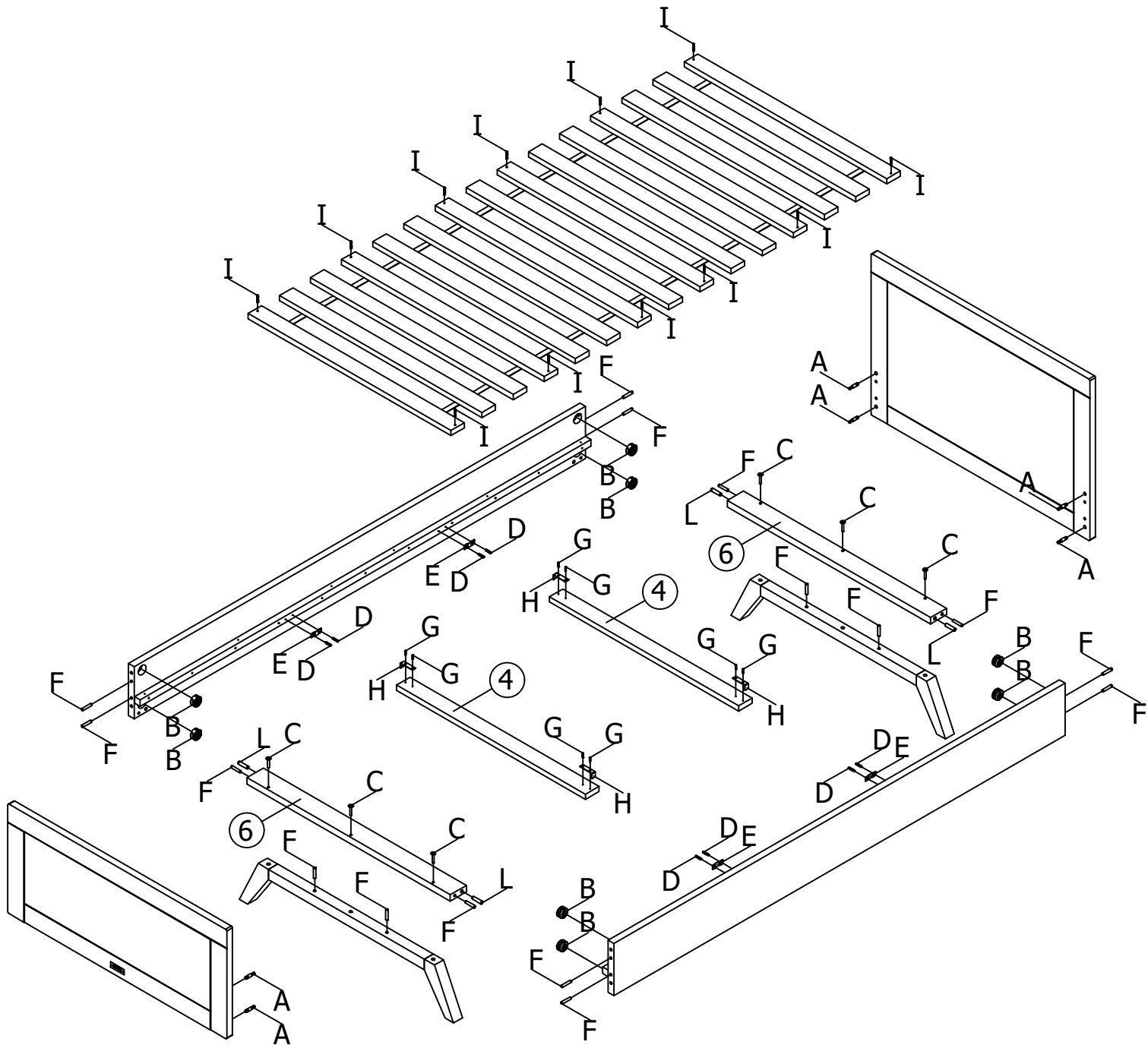
Distributor:

BOPITA  
Energieweg 1  
6662 NS Elst  
The Netherlands

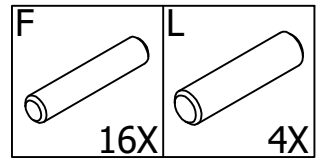
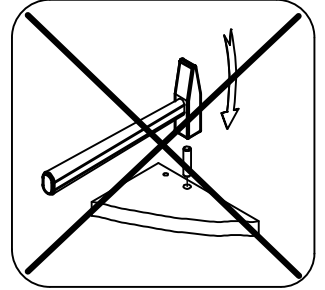
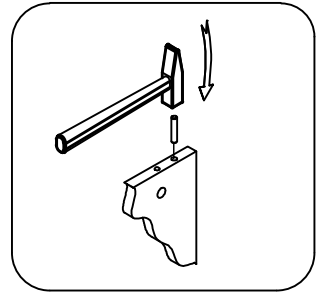
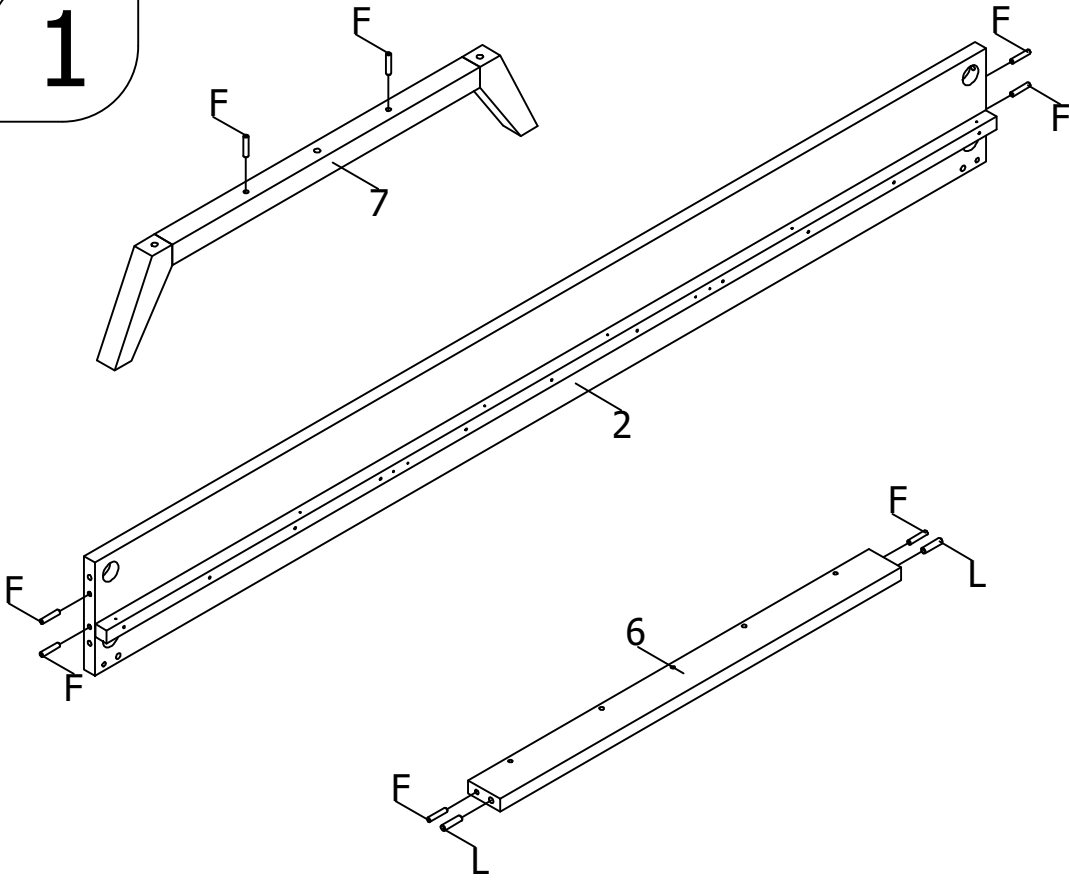
[www.bopita.com](http://www.bopita.com)

25.03.2020.

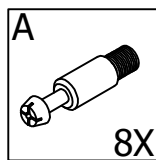
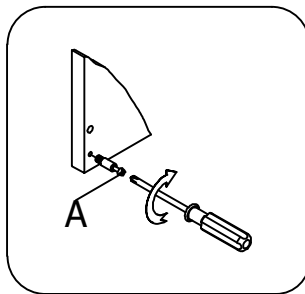
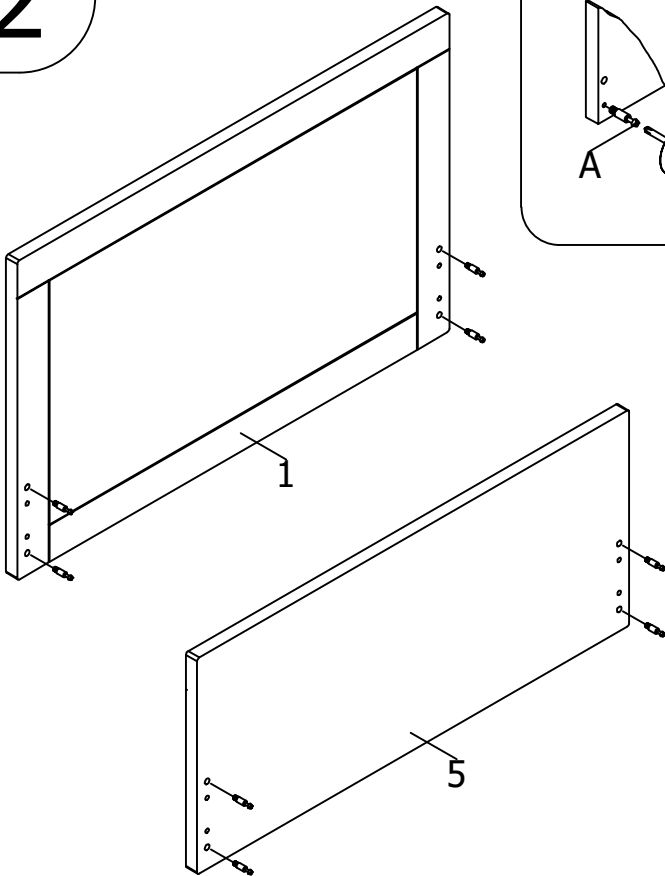
A  8X	B  8X	C  M6X40 6X	D  3,5X25 8X	E  4X	F  Ø8x40 16X
artcode:444007	artcode:444006	artcode:441046	artcode:431008	artcode:446007	artcode:
G  3,5X16 8X	H  4X	I  3,5X35 12X	J  SW4 1X	K  SW6 1X	L  Ø10x40 4X
artcode:431006	artcode:446007	artcode:431023	artcode:445001	artcode:445003	artcode:



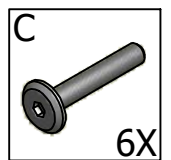
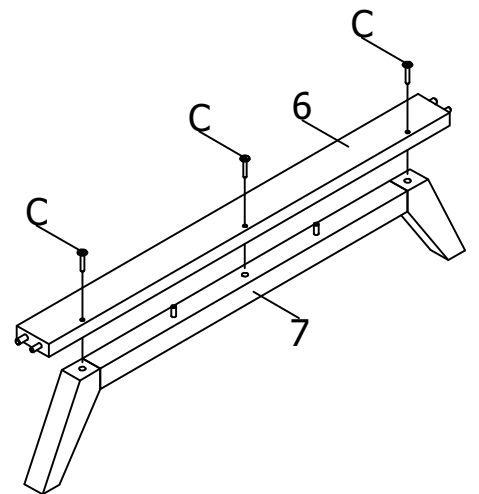
1

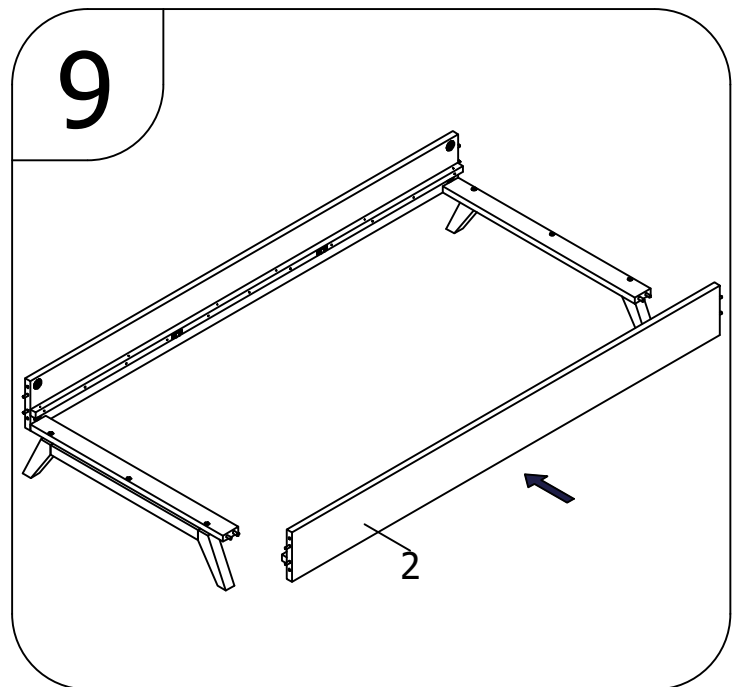
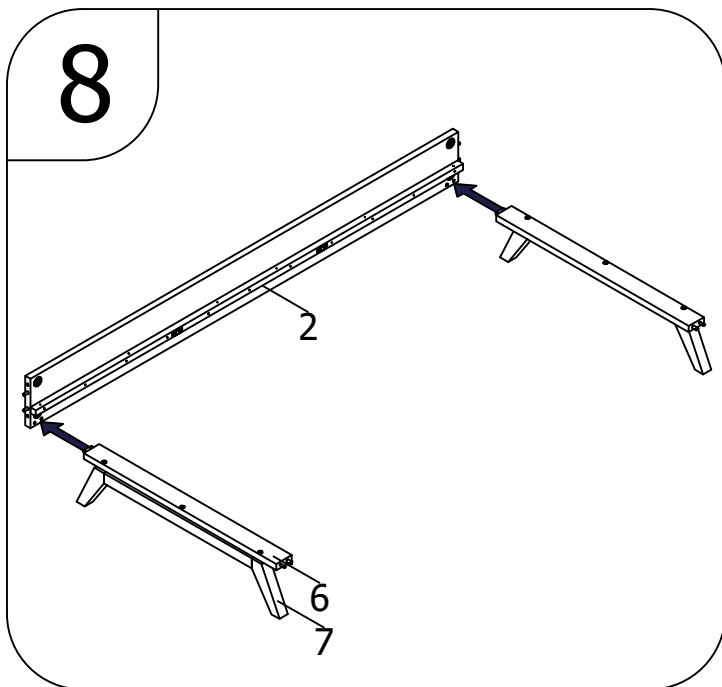
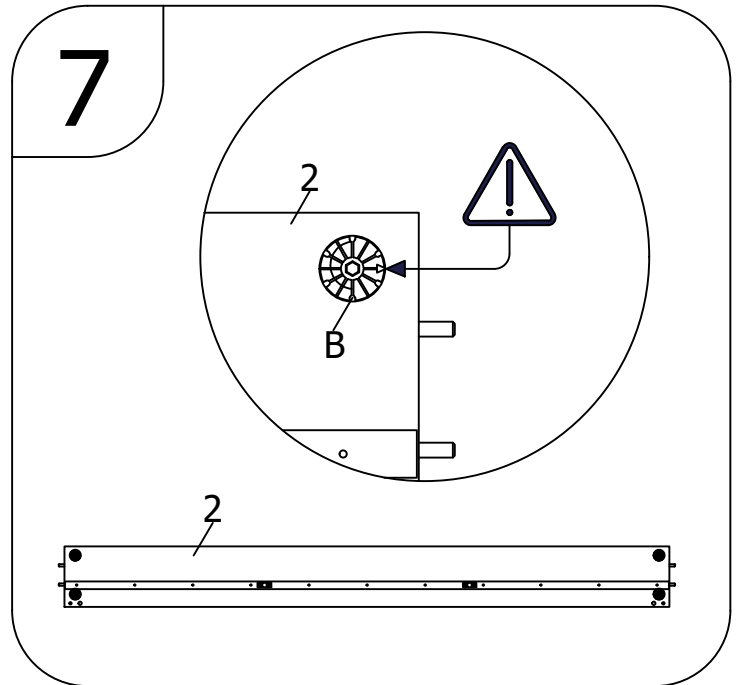
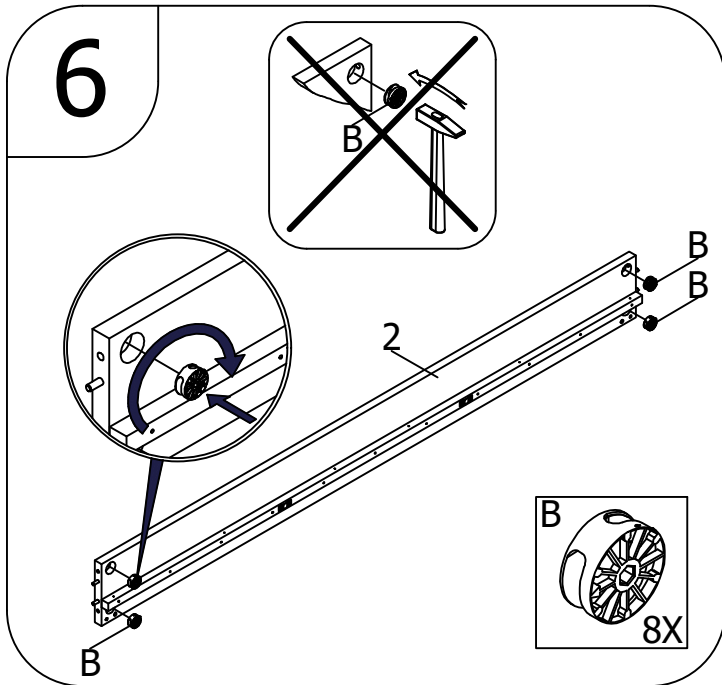
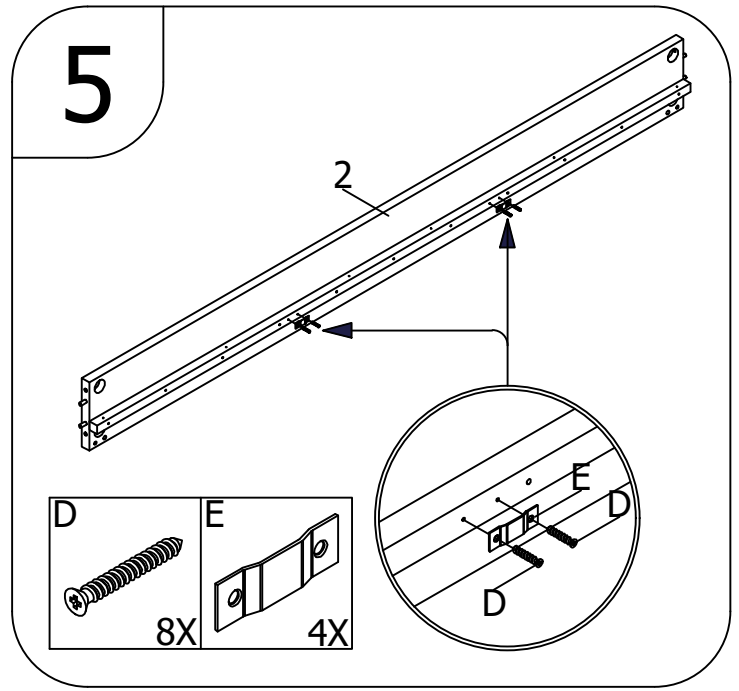
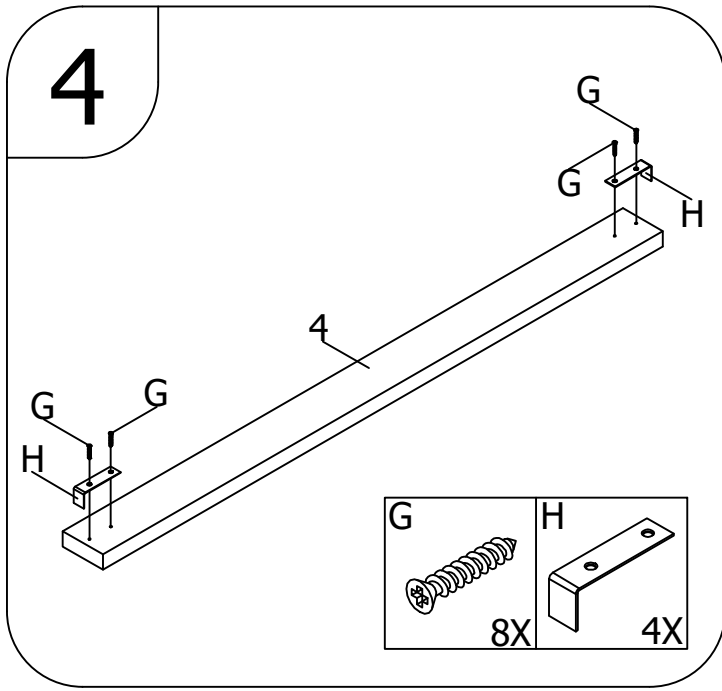


2

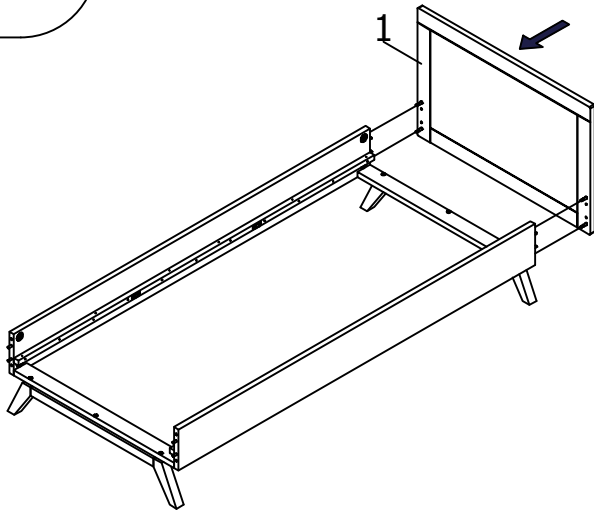


3

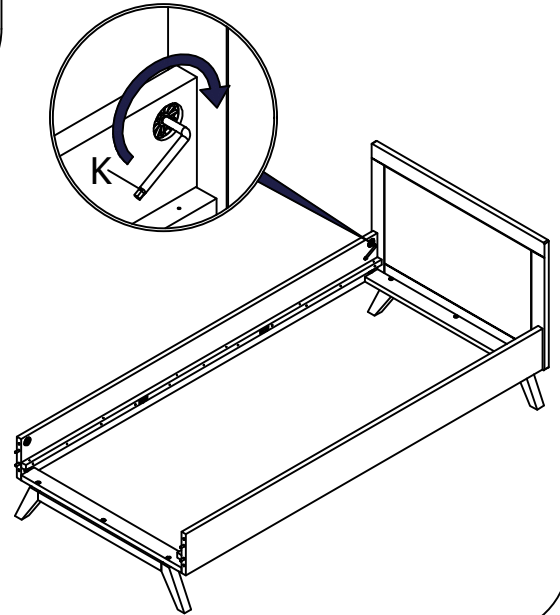




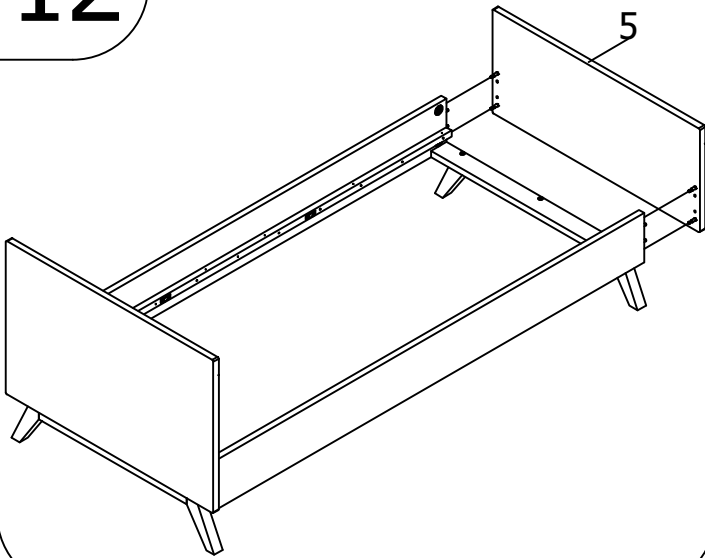
10



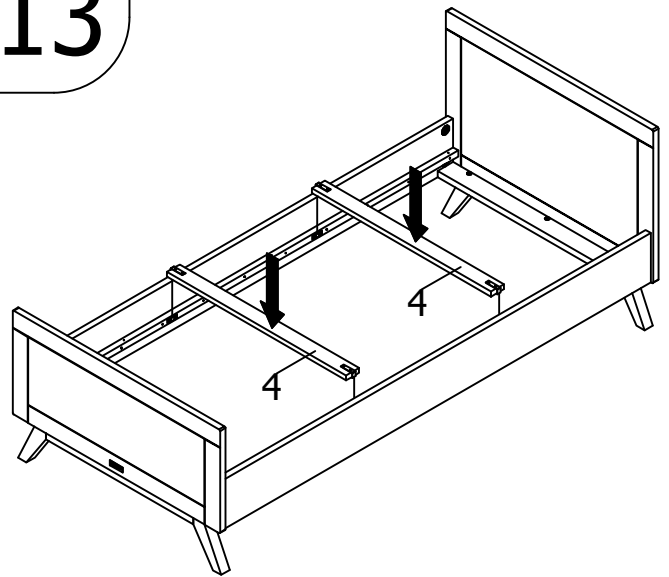
11



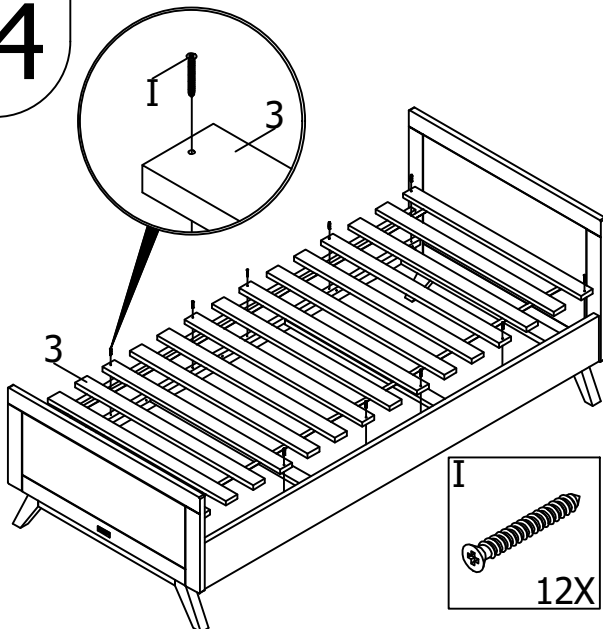
12



13



14



15

