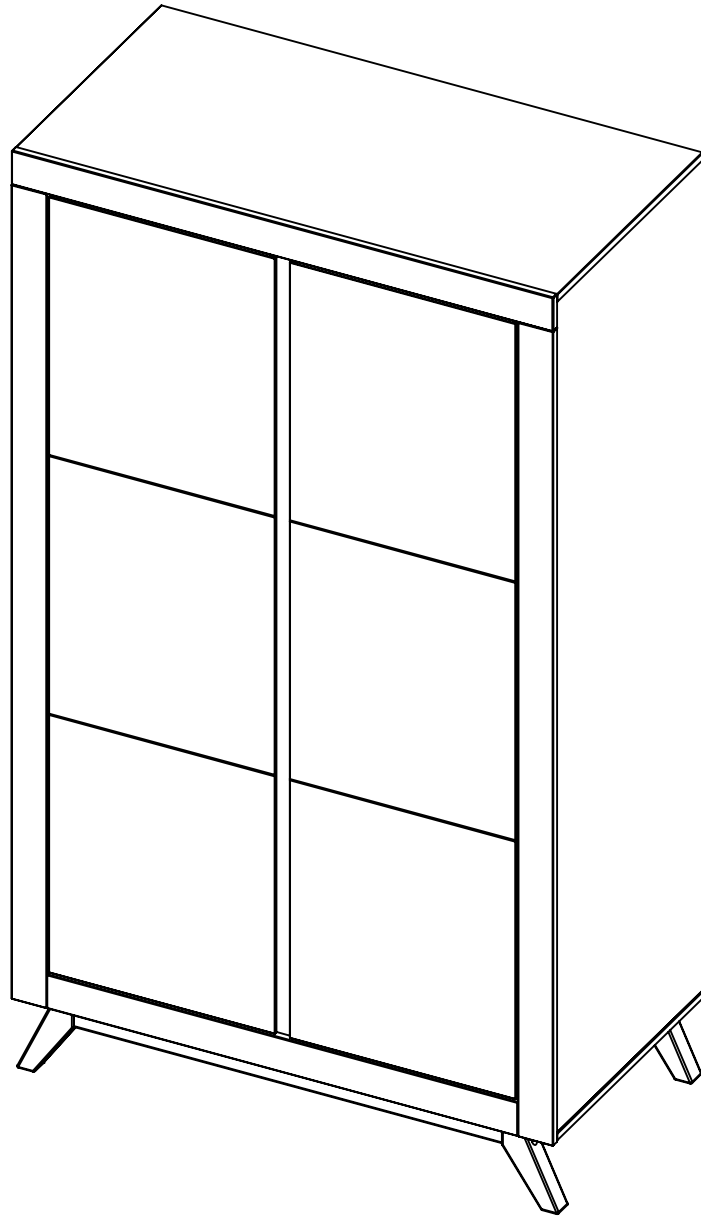
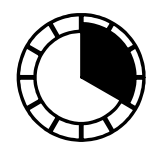
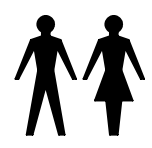
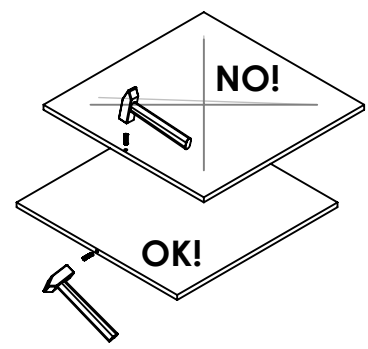
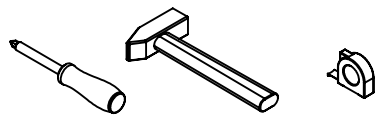
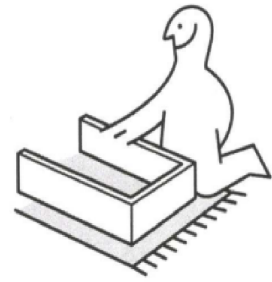
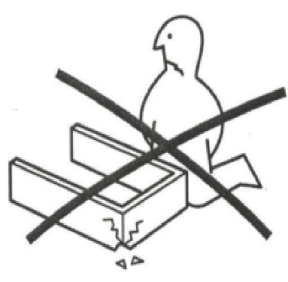
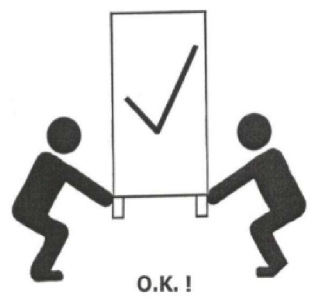
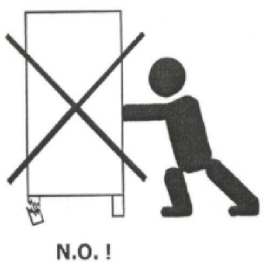


ANNE

Wardrobe 2 doors




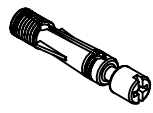
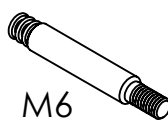

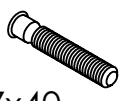
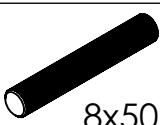
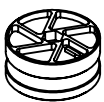

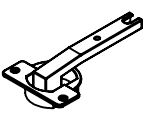
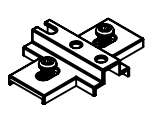
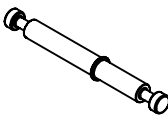
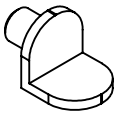

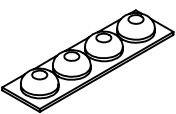
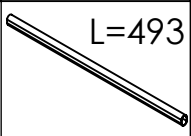

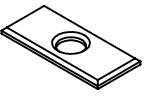

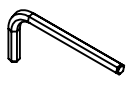

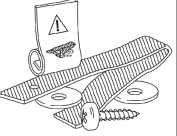
DISTRIBUTOR:
BOPITA
Edisonweg 3, 6662 NW Elst
The Netherlands
www.bopita.com

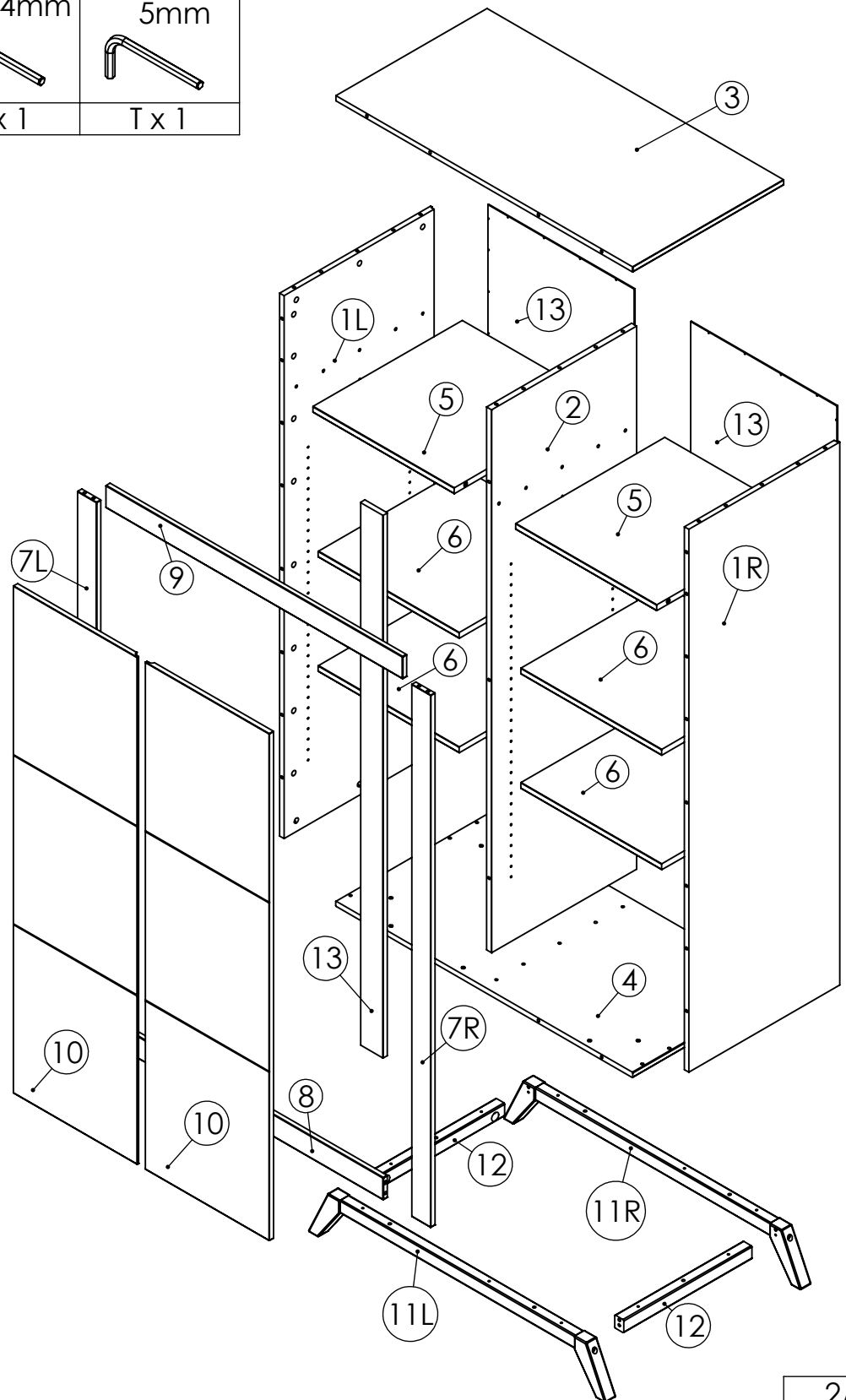


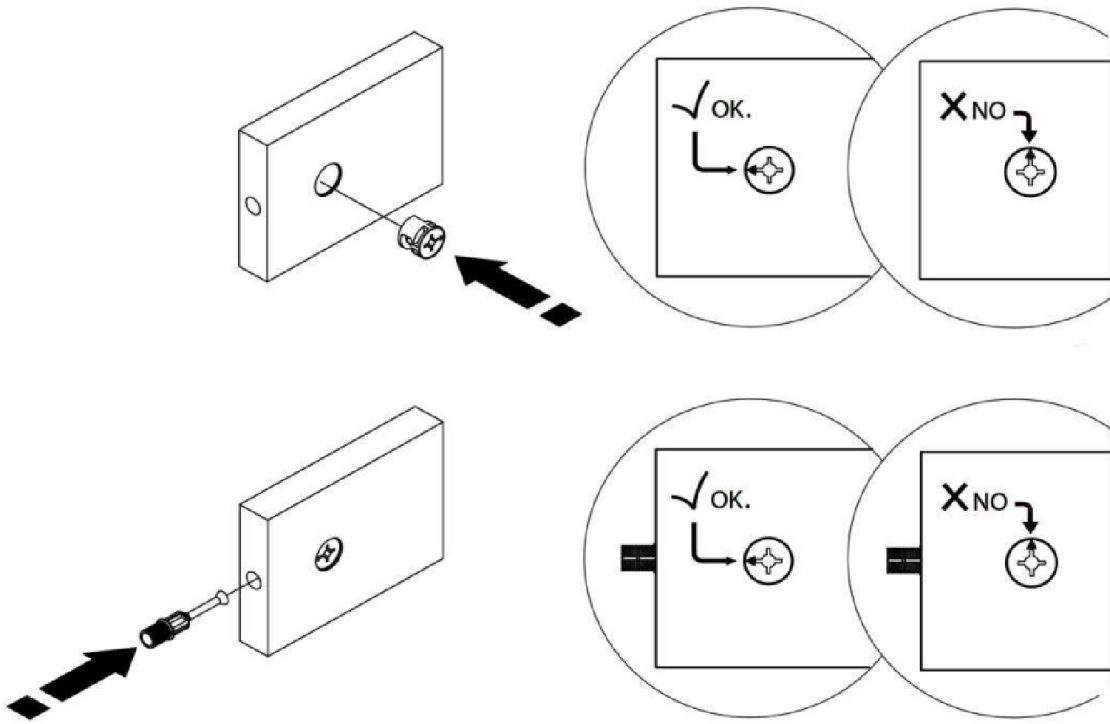
240 min.

ANNE


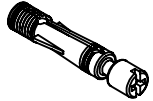

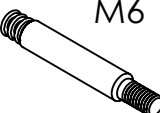
Wardrobe 2 doors

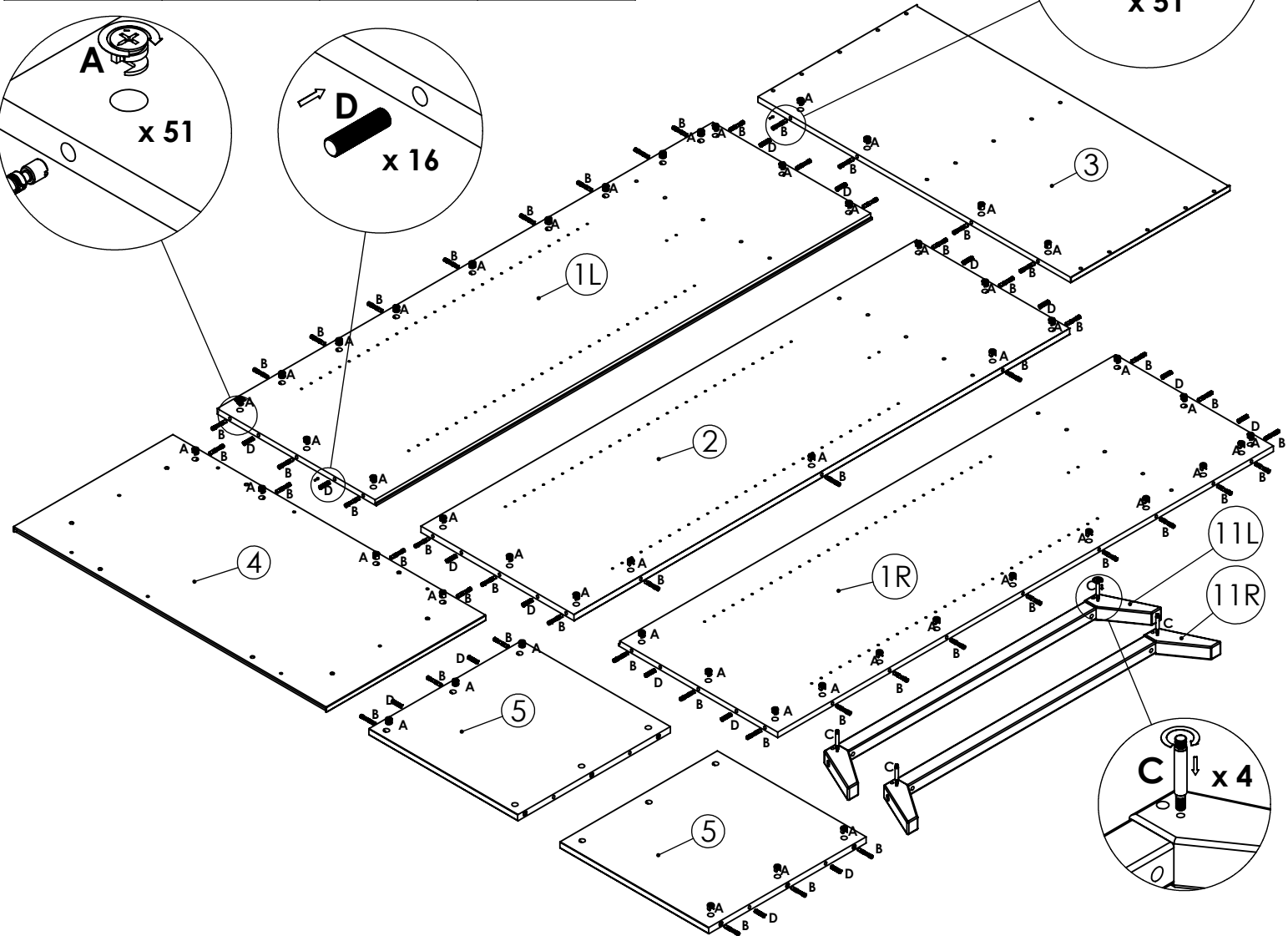
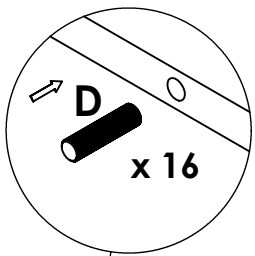
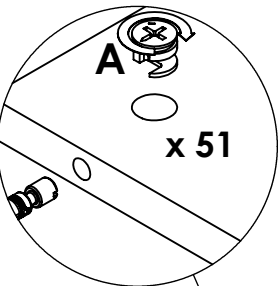
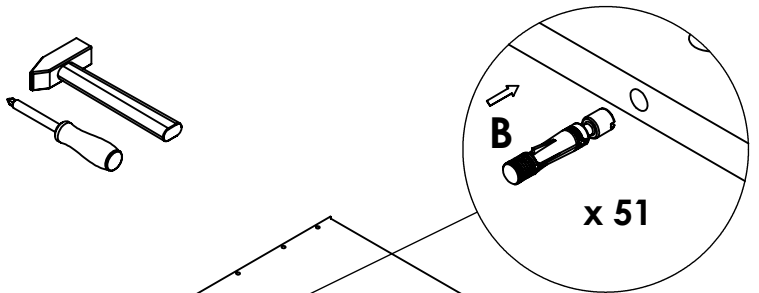
15x12 		M6 	8x30 	7x40 	8x50 	Ø25 	15x10 	
A x 55	B x 55	C x 4	D x 30	E x 10	F x 2	G x 4	H x 6	
				2,5x15 		L=493 		
I x 6	J x 6	K x 3	L x 16	M x 50	N x 1	O x 2	P x 4	
	 4x13	4mm 	5mm 					
Q x 6	R x 12	S x 1	T x 1					
								
U x 1								




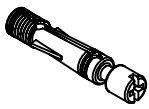

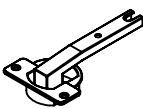
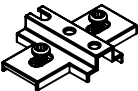



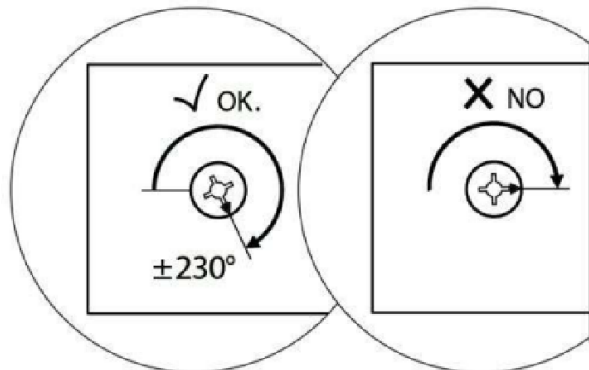
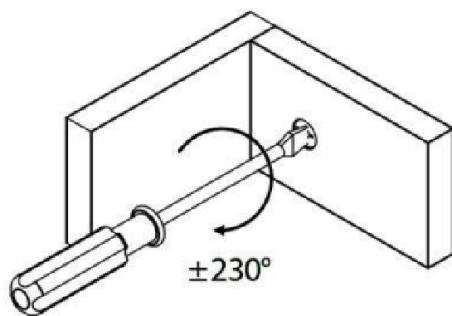
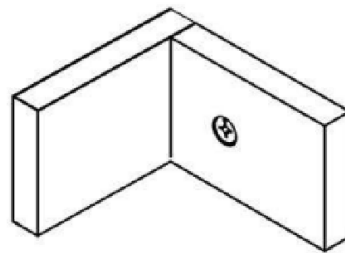
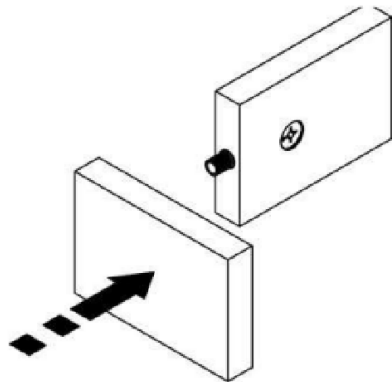
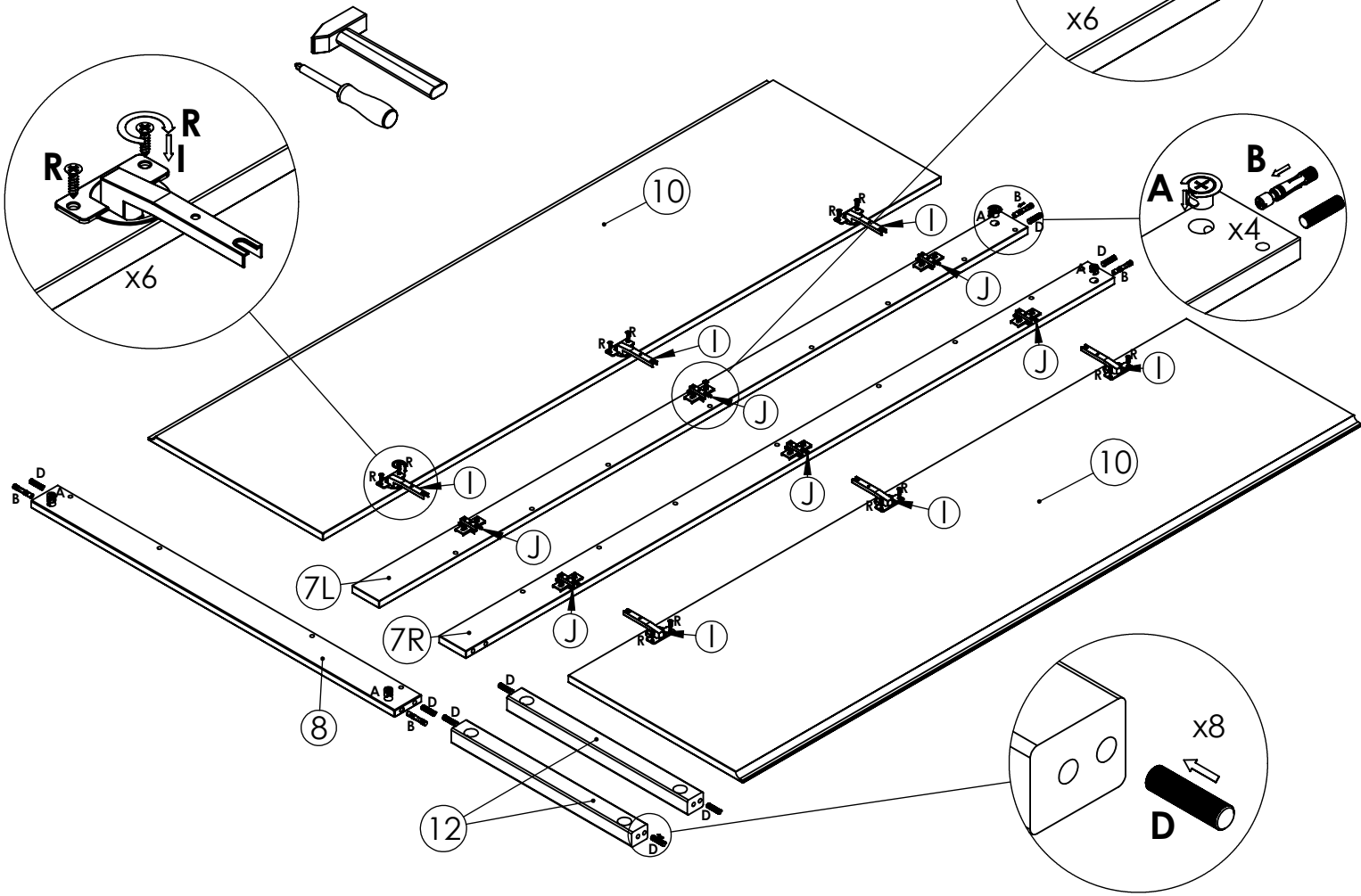
STEP-1

15x12  A x 51	 B x 51	 8x30 D x 16	M6  C x 4
---	---	---	--


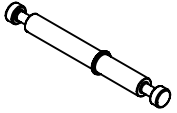



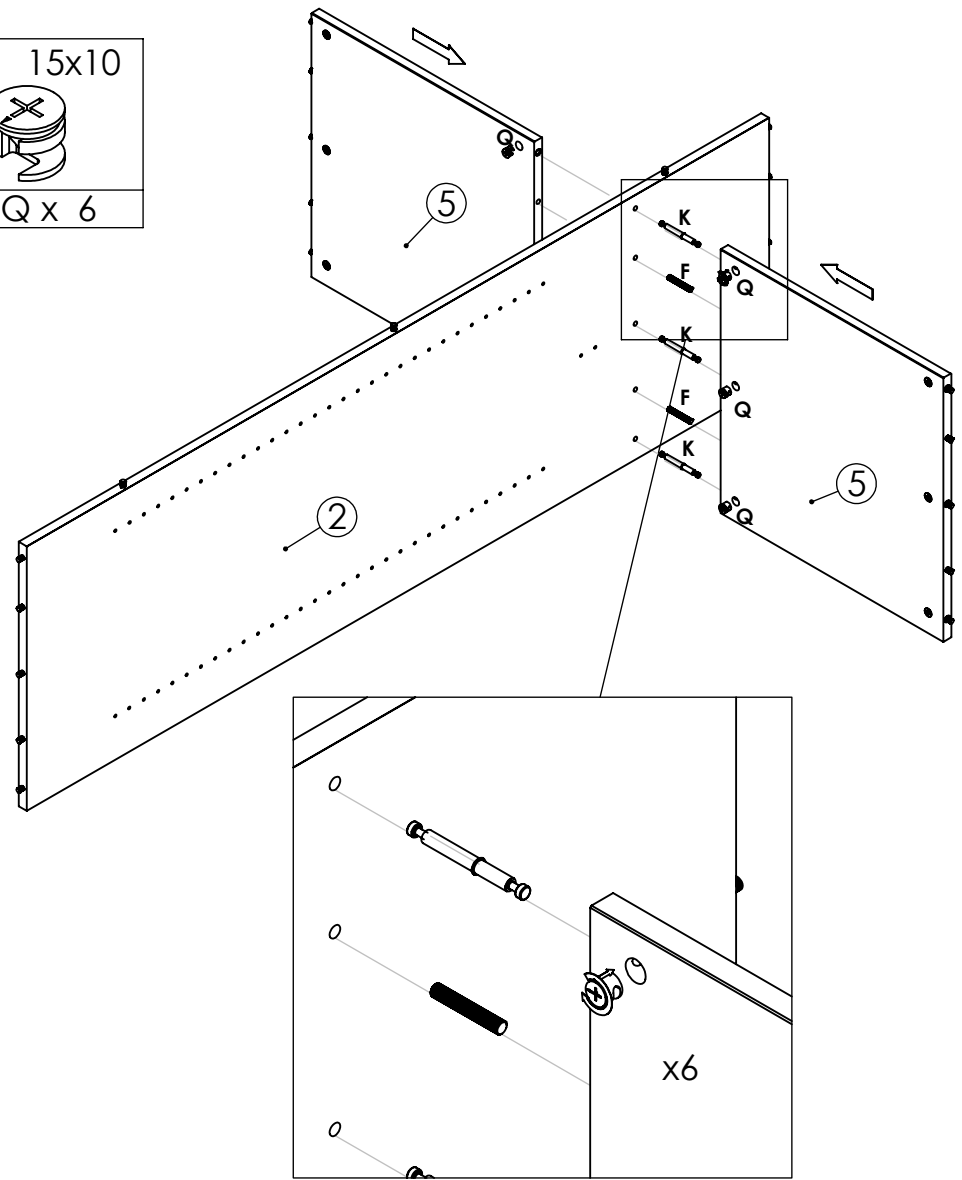
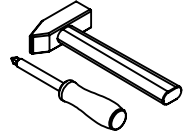
STEP-2

15x12 		8x30 			4x13 
A x 4	B x 4	D x 8	I x 6	J x 6	R x 12

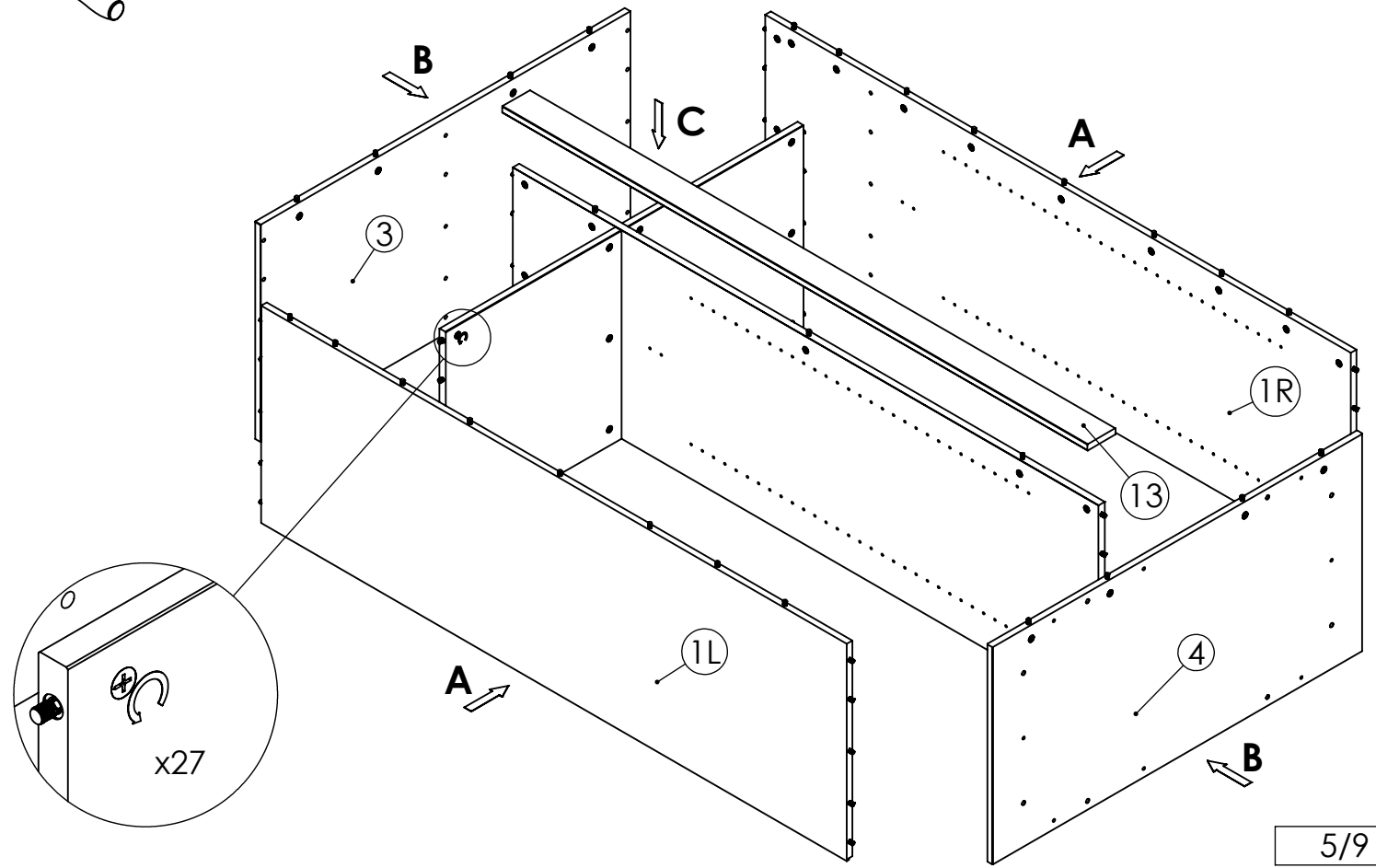
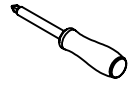


STEP-3

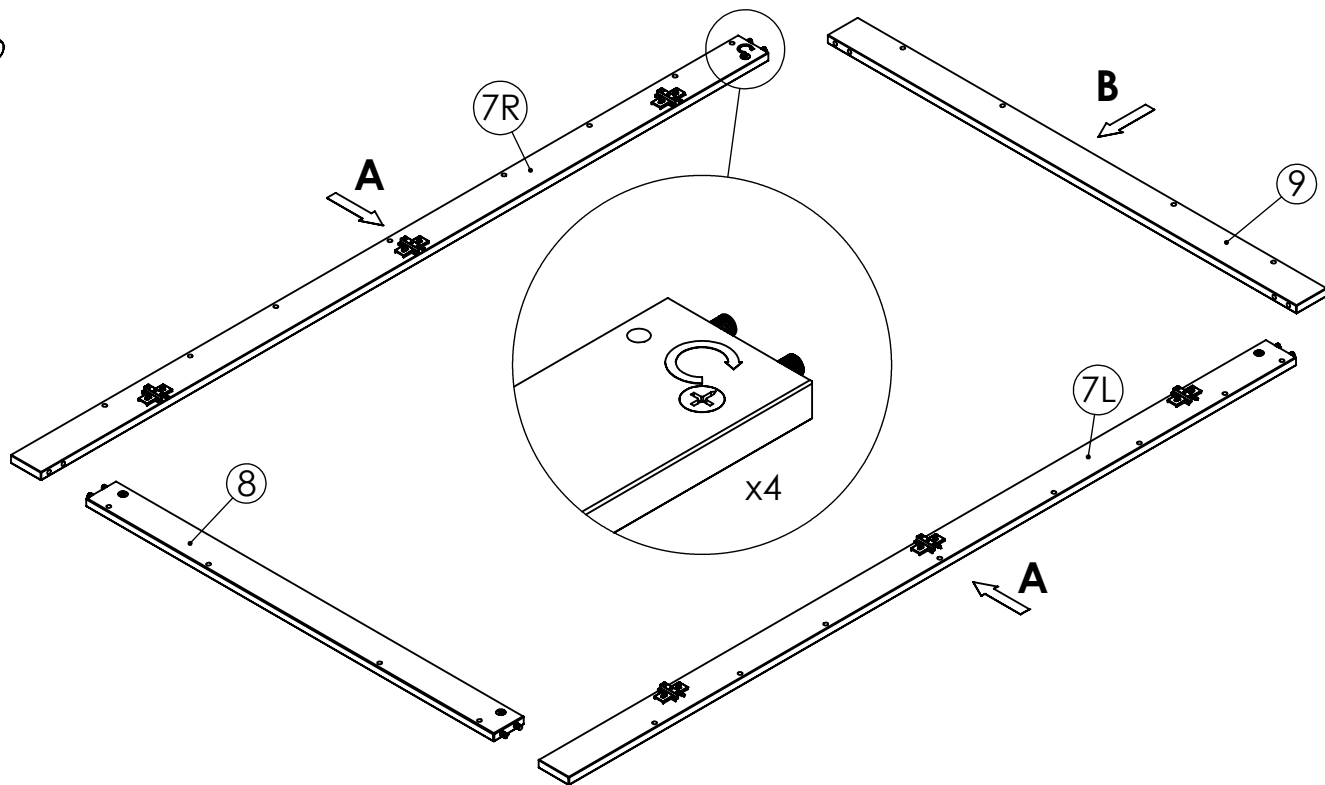
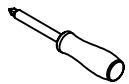
 8x50		 15x10
F x 2	K x 3	Q x 6



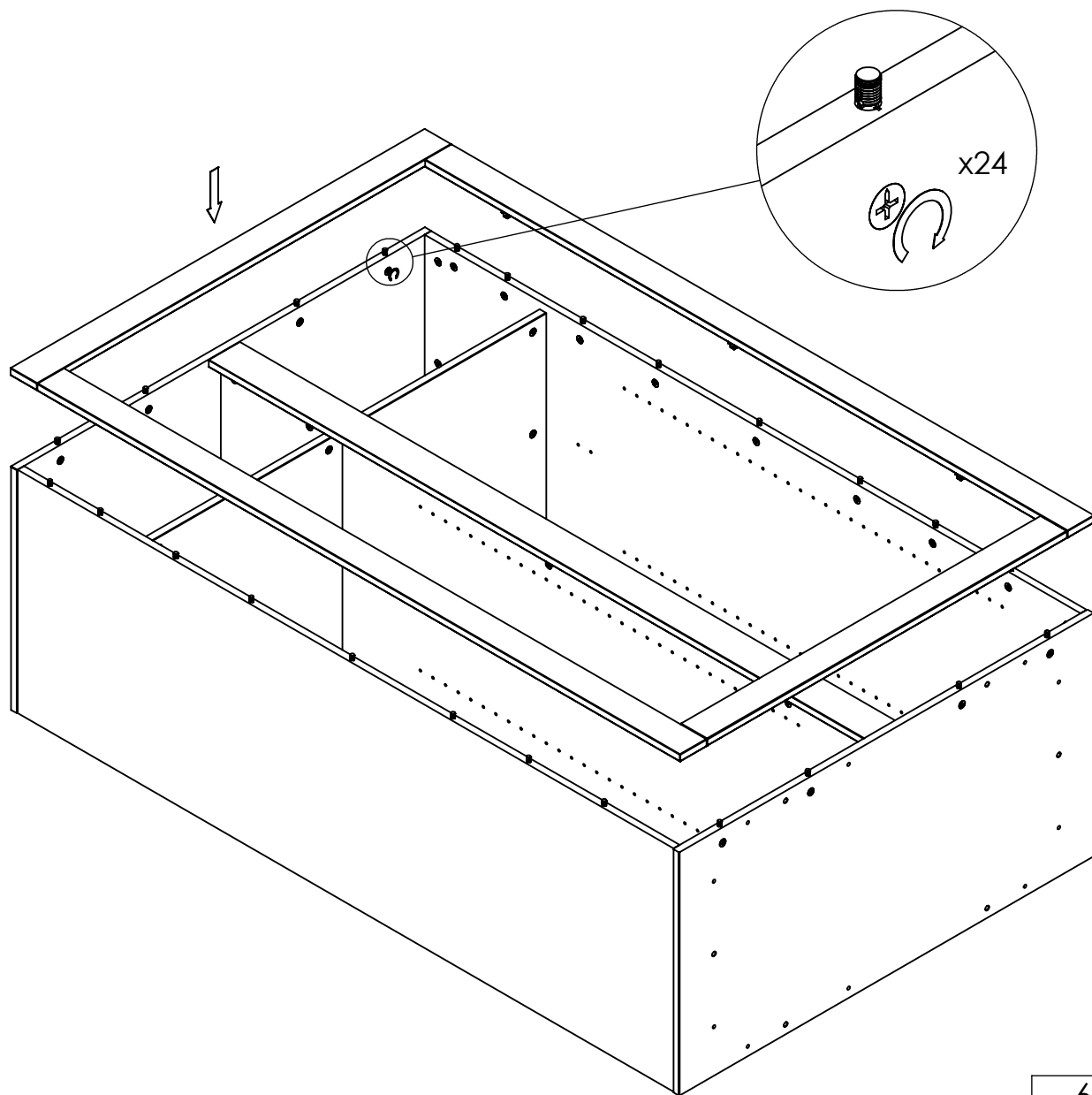
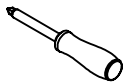
STEP-4-A/B/C




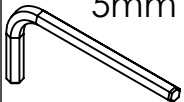
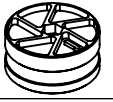
STEP-5-A/B

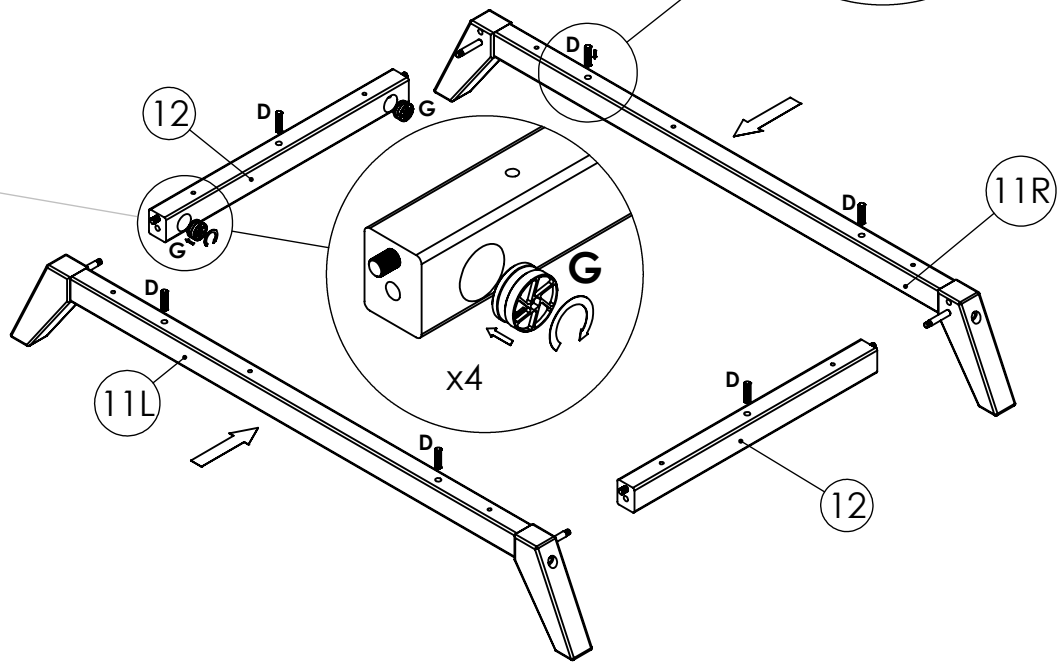
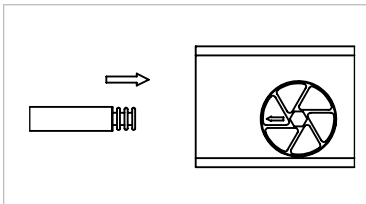
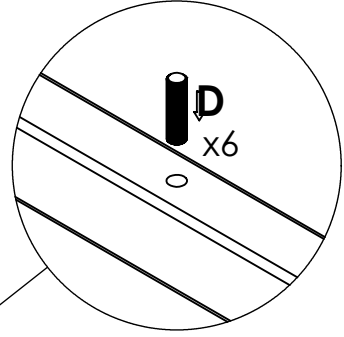
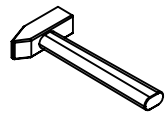


STEP-6

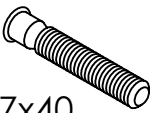
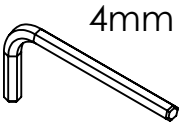


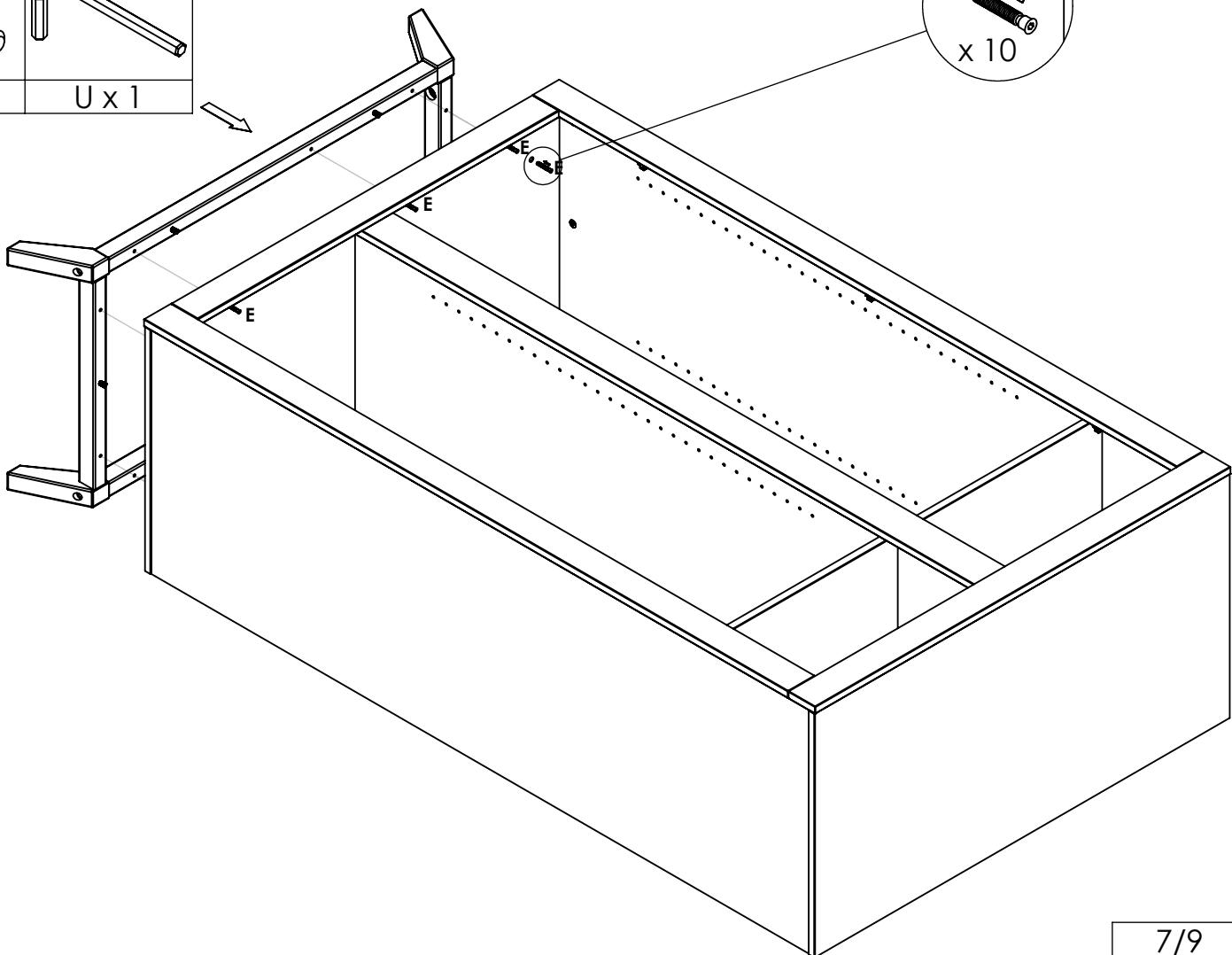
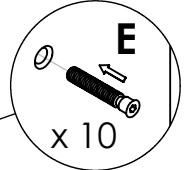
STEP-7

		
8x30	5mm	Ø25
D x 6	W x 1	G x 4

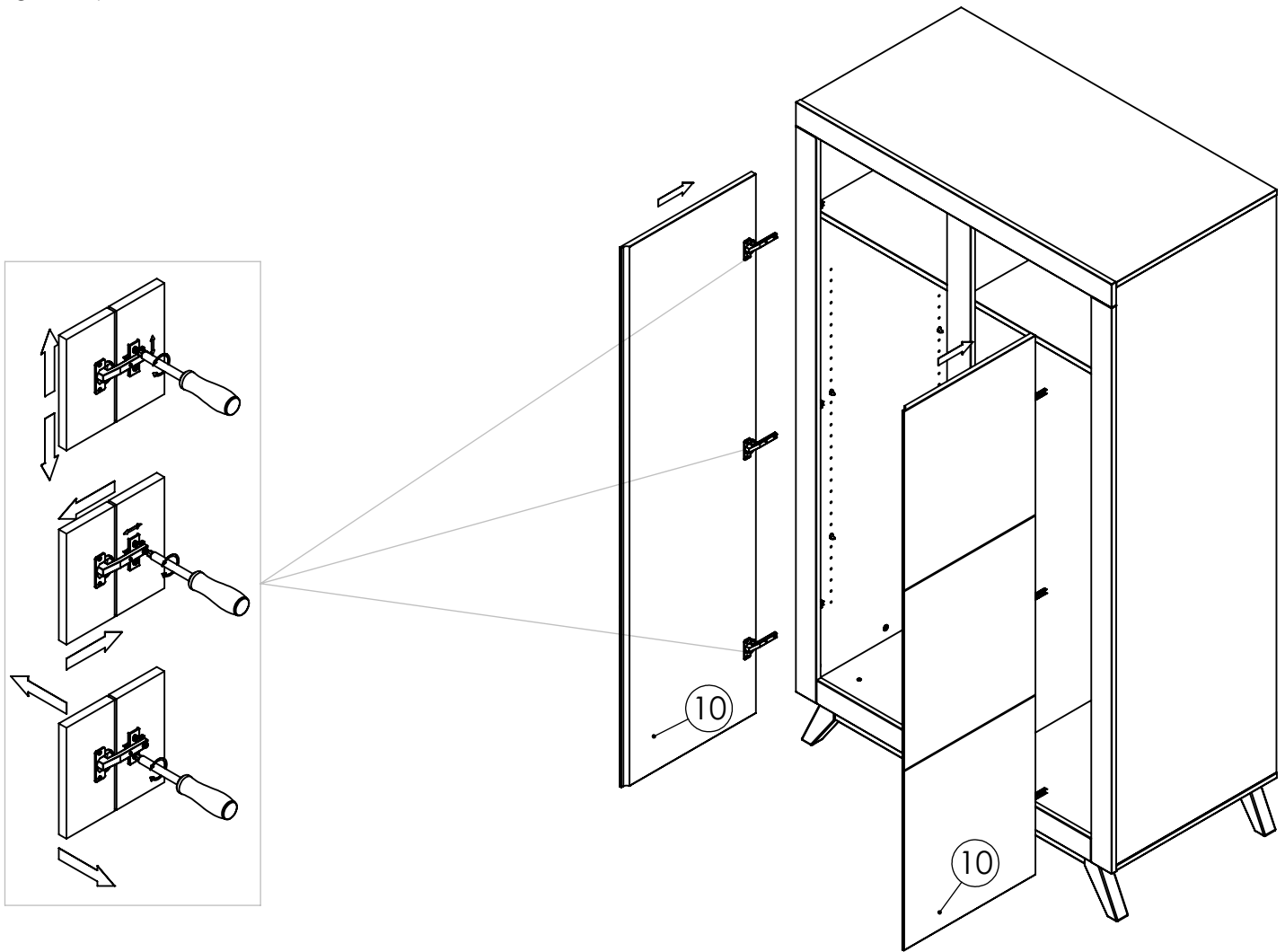


STEP-8

	
7x40	4mm
E x 10	U x 1

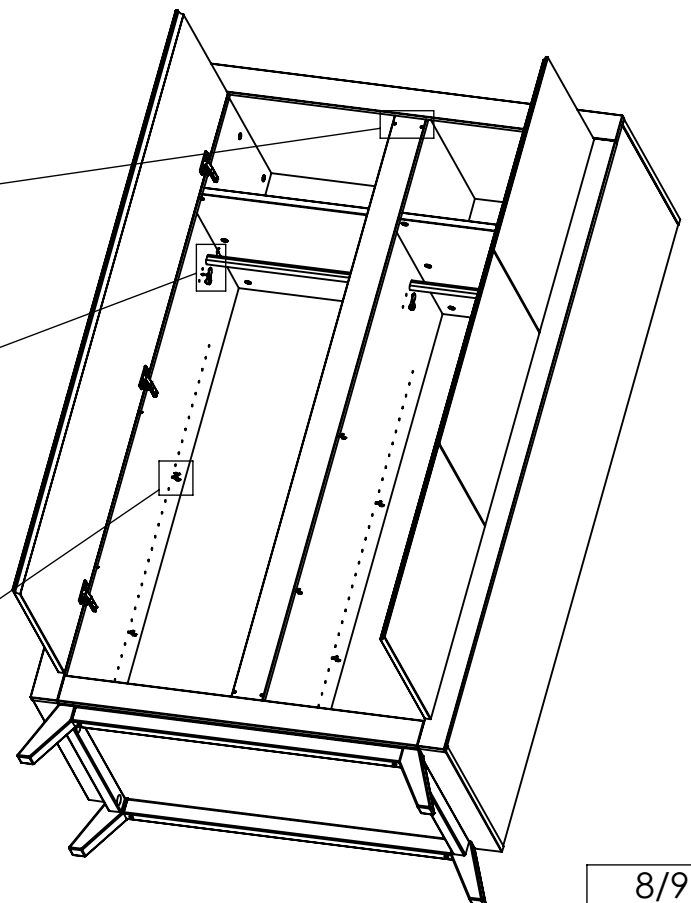
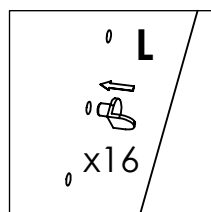
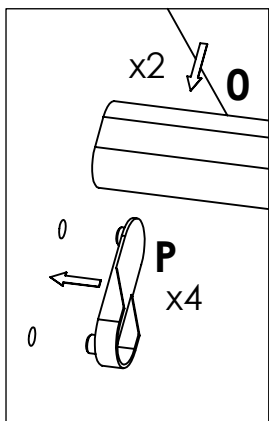
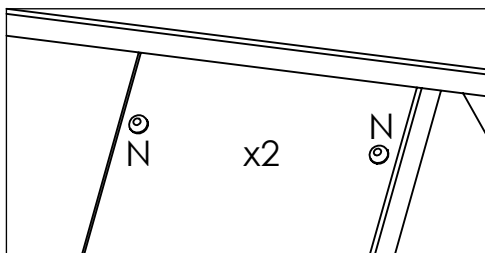


STEP-9

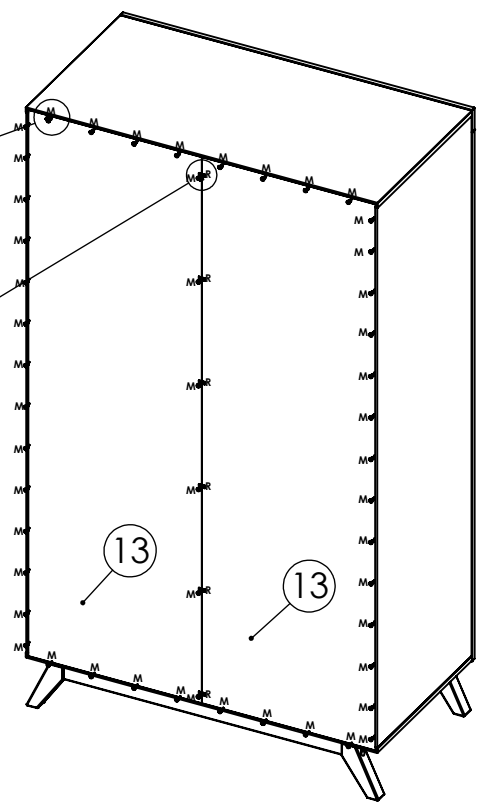
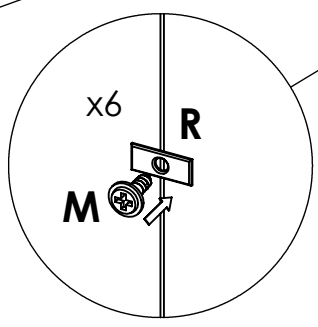
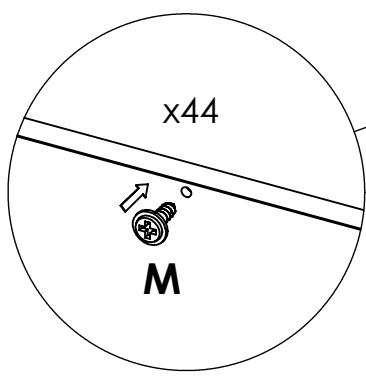
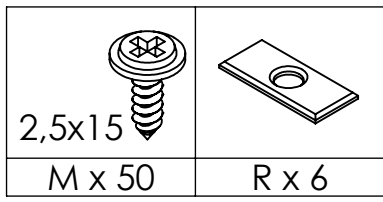


STEP-10

	L=493		
L x 16	O x 2	P x 4	N x 1



STEP-11



STEP-12

