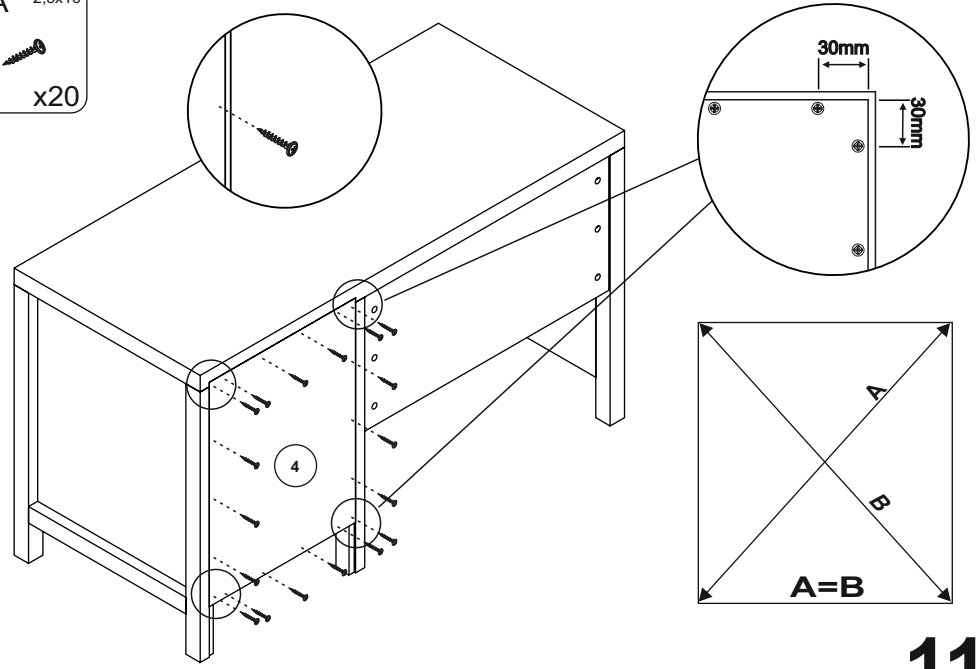
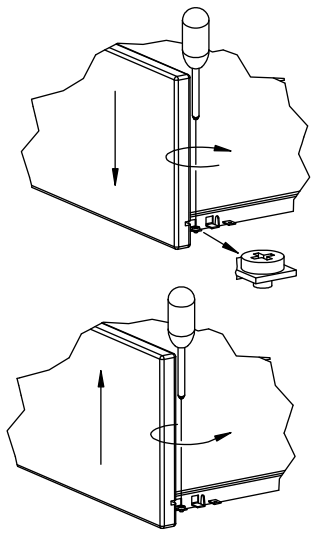
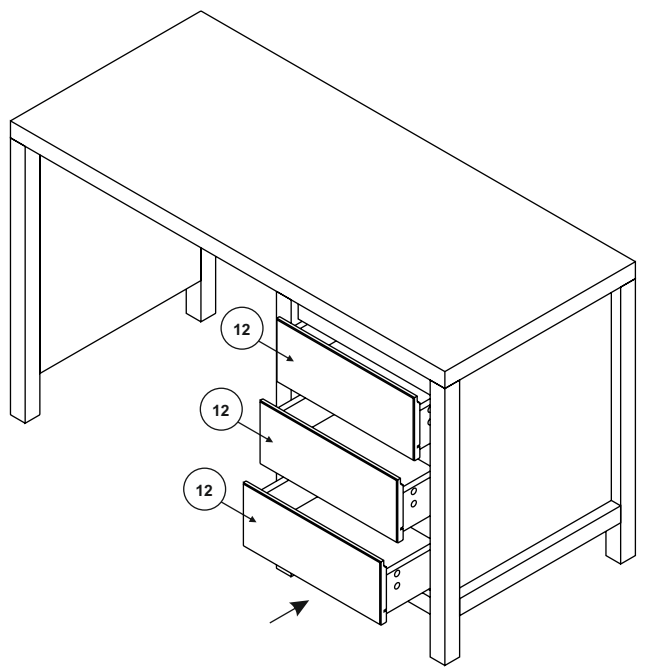


DA 2,5x16
x20



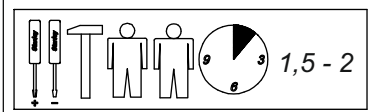
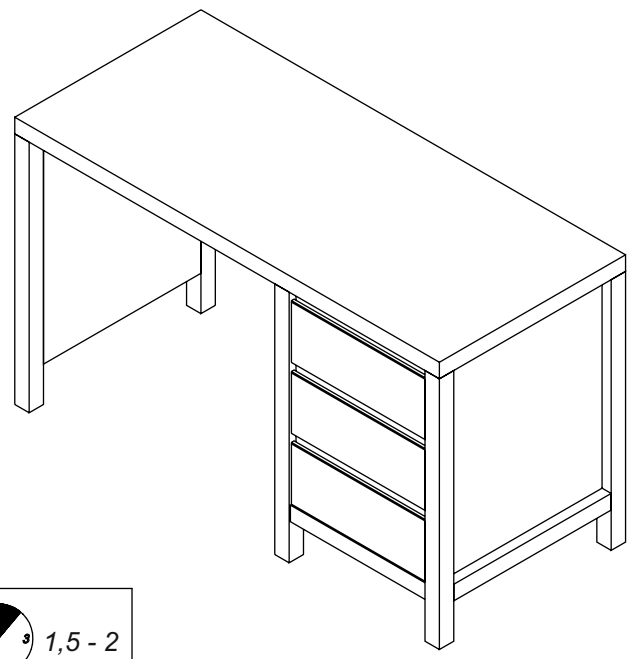
11



12

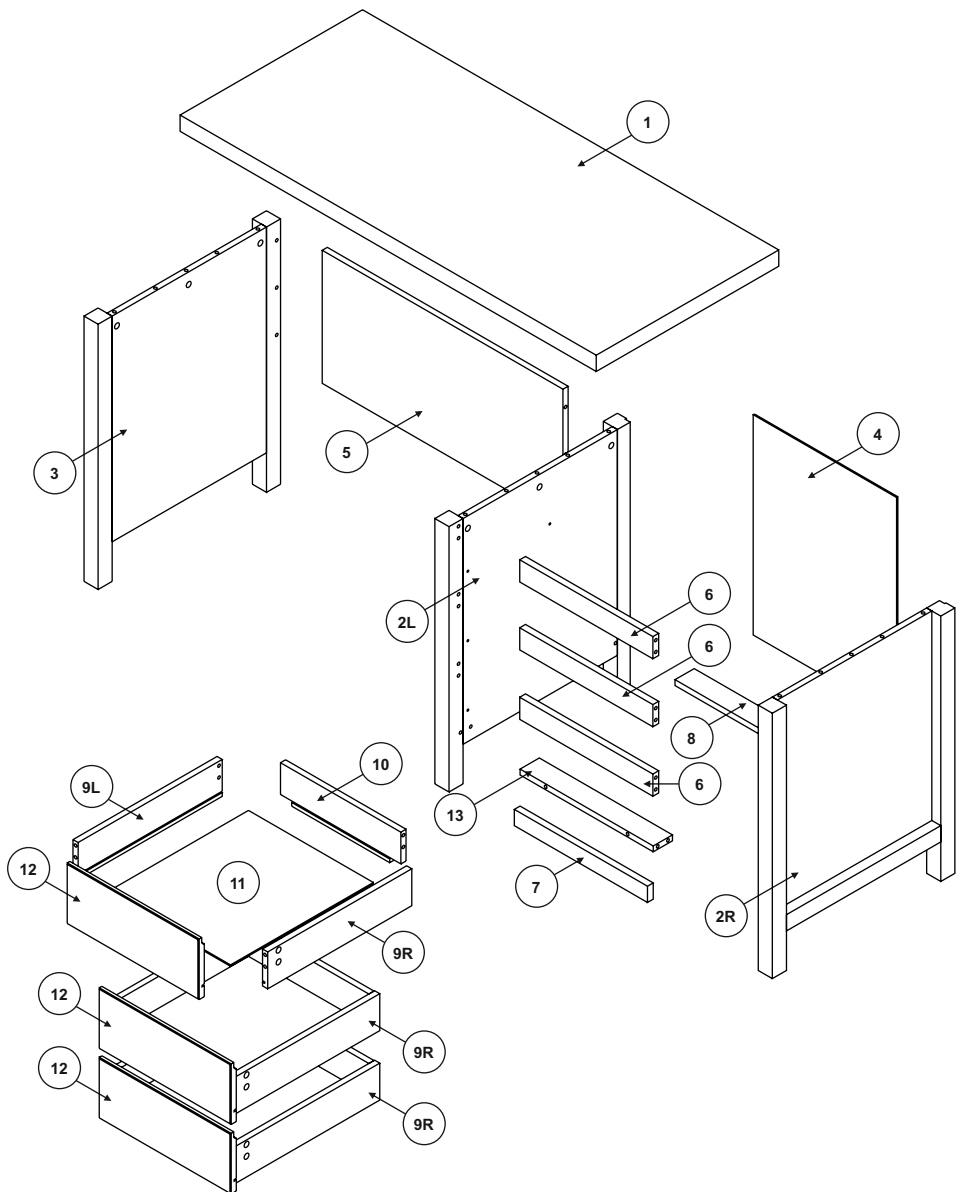
Instruction Manual

Corsica
WRITINGDESK
322711



DISTRIBUTOR:
BOPITA
Edisonweg 3, 6662 NW Elst
The Netherlands
www.bopita.com

14.01.2019.

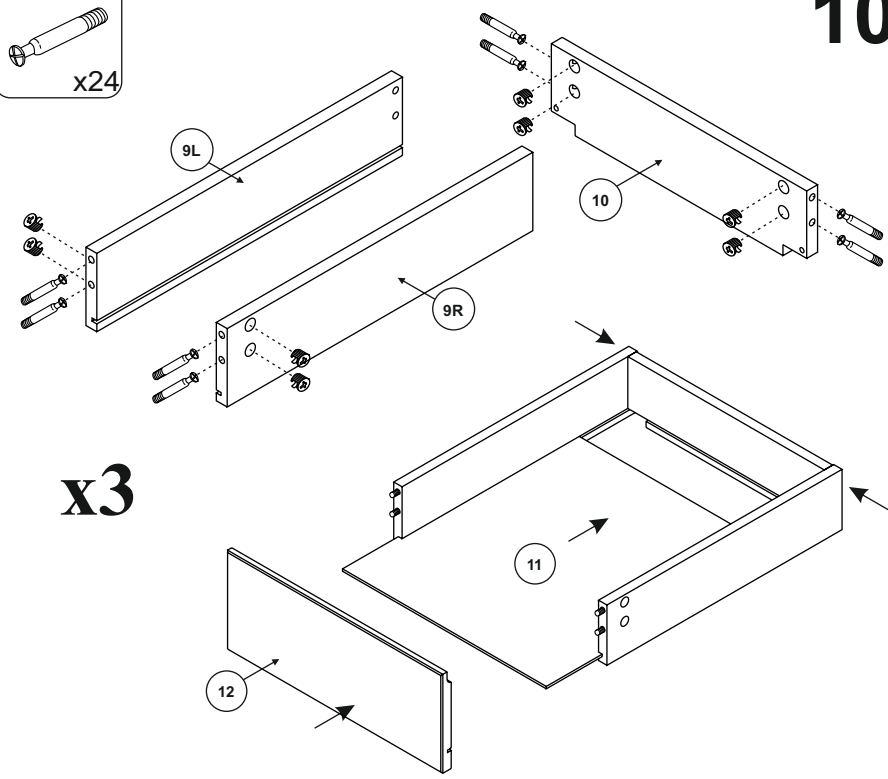


- | | | |
|----------------------------|-------------------------|-----------------------------|
| A
8x36
x16 | B
x51 | C
15x10
x51 |
| DA
2,5x16
x20 | E
L=450
x3 | F
6,3x11,5
x12 |

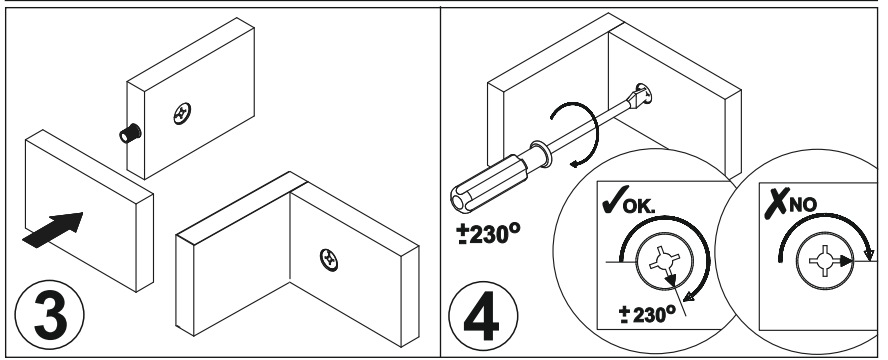
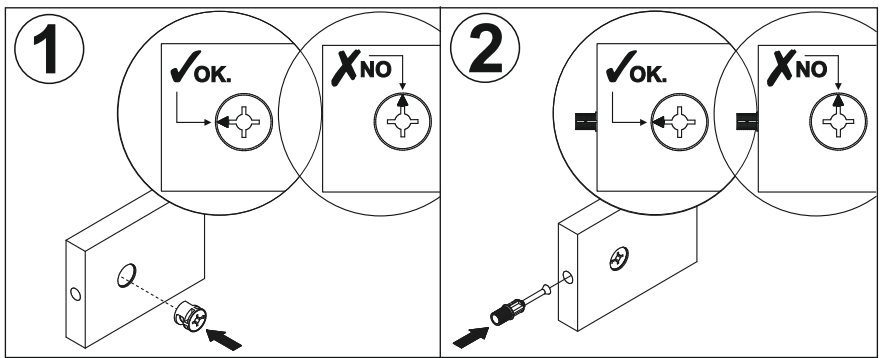
2

- | | |
|--------------------------|-----------------|
| C
15x10
x24 | B
x24 |
|--------------------------|-----------------|

10



x3



9

